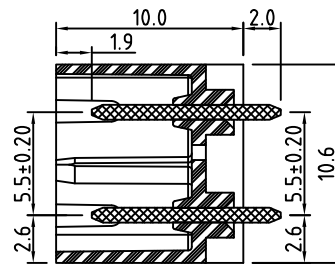
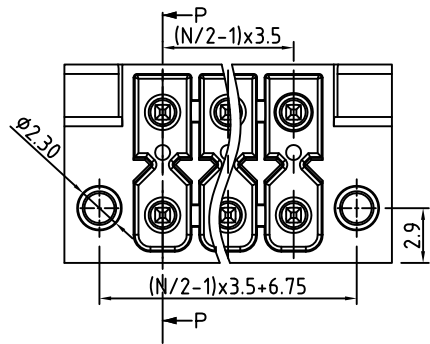


SECTION 0-0

Material:	
Contact Solder Pin:	Copper, Matte Tin Plated
Insulating Body:	LCP, UL94V-0
Mounting Flange Nut:	M2.0 Brass, Nickel Plated
Electrical	
Voltage Rating:	150 VAC
Current rating:	5.5 AMPS
Withstand Voltage:	1300 VAC, Test time 60 seconds
Mechanical	
Operating Temperature:	-40°C to +65°C -40°F to +149°F
Soldering Temperature:	260°C, 500°F for 10 seconds max.
Safety Approval:	

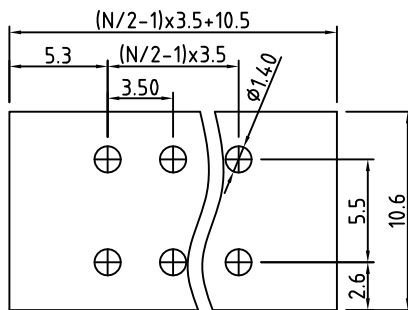


SECTION P-P

Part Number Configuration.

VC5350M-XX-X00

Number of Positions      Color  
   0-Black



P.C.B Layout

(Other Color Options Available)  
Please consult Factory

MAX NUMBER OF POSITIONS = 48 (2x24)

UNLESS OTHERWISE SPECIFIED BREAK ALL SHARP EDGES AND DEBURR ALL HOLES  
 TITLE: 3.50mm SPACING, PLUGGABLE HEADER VERTICAL, CLOSED

LIMITS: UNLESS OTHERWISE SPECIFIED HUND.±.02      FRACT.±1/64 THOU.±.005      ANGLE±1°	SCALE	THIS IS A CONFIDENTIAL DRAWING AND MUSTBE TREATED AS SUCH. NO DISTRIBUTION IS ALLOWED WITHOUT WRITTEN APPROVAL BY EBYP ELECTRO INC.	Electro Inc. PLAINVIEW, NY 11803
--	-------	---	-------------------------------------