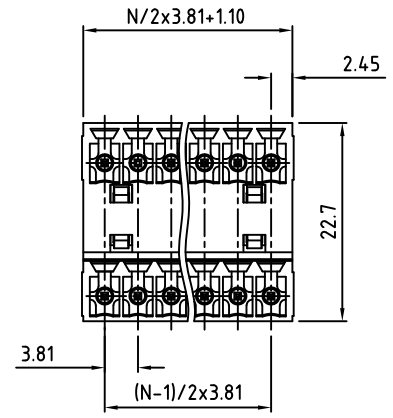
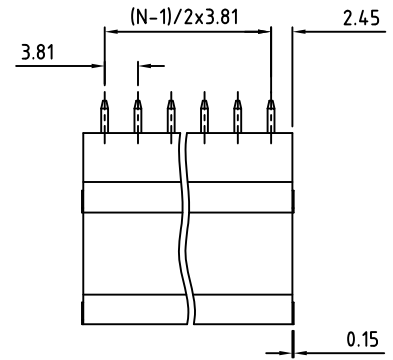
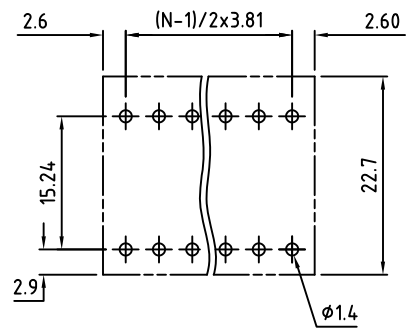


RoHS Compliant

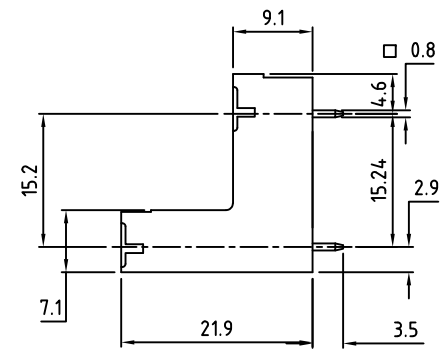
Rev.	ECO#	Date	By



N=Number of Positions



Recommended PCB Layout



Material:	
Contact Solder Pin:	Brass, Tin Plated
Insulating Body:	Polyamide, UL94V-0
Electrical	
Voltage Rating:	300 VAC
Current rating:	8 AMPS
Withstand Voltage:	1500 VAC, Test time 60 seconds
Mechanical	
Operating Temperature:	-40°C to +105°C -40°F to +221°F
Soldering Temperature:	260°C, 500°F for 5 seconds max.
Safety Approval:	US

Part Number Configuration.

VC1381-XX-530

Number of Positions: X
Color: 5-Green

(Other Color Options Available)
(Please consult Factory)

Max Number of Positions = 2x24 All Dimensions in Millimeters

TITLE: 3.81mm Spacing, Pluggable Header

METRIC LIMITS
ONE PLACE ± 0.3
TWO PLACES ± 0.10
ANGLE $\pm 1^\circ$

SCALE

THIS IS A CONFIDENTIAL DRAWING AND MUST BE TREATED AS SUCH. NO DISTRIBUTION IS ALLOWED WITHOUT WRITTEN APPROVAL BY EBYP ELECTRO INC.



IMPORTANT DISCLAIMER: All information provided on this print is for reference. Always perform your own tests and acquire samples and further information to determine product suitability. While we make effort to provide accurate information, we cannot be responsible for errors either of omission or typographical. EBYP Electro, Inc. assumes no responsibility for the use or suitability of any product. All products and specifications are subject to change without prior written notice.

DRAWN JM DATE 10/23/08
CHECKED DATE
APPROVED DATE

SIZE A

DRAWING NUMBER: VC1381-XX-530

REV.