

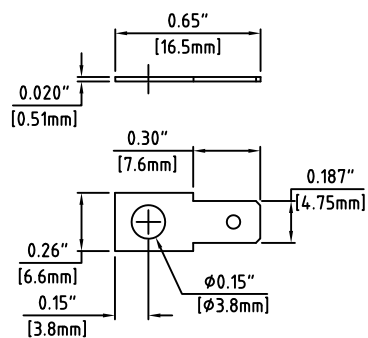
0.187" INSERTION TAB
FLAT QUICK CONNECT

0.187" INSERTION TAB
ANGLED QUICK CONNECT

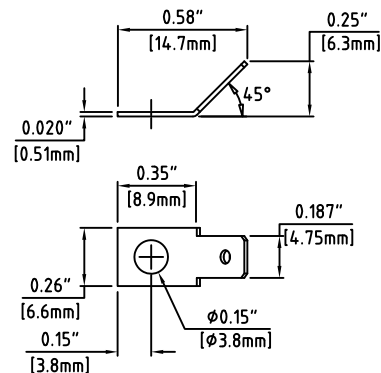
0.187" INSERTION TAB
VERTICAL QUICK CONNECT

0.187" INSERTION TAB
COMBINATION QUICK CONNECT

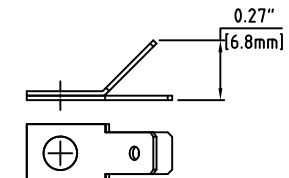
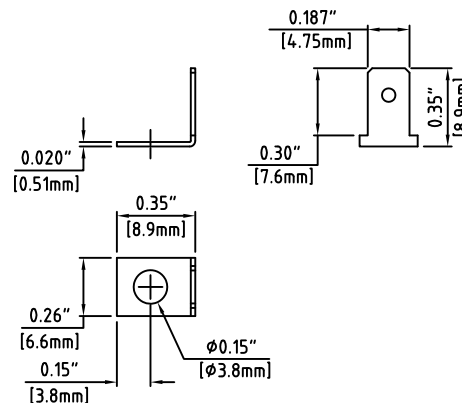
HD01



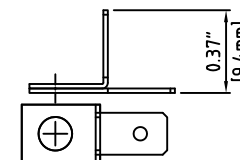
HD02



HD03

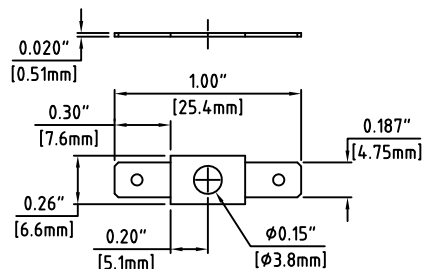


HD07

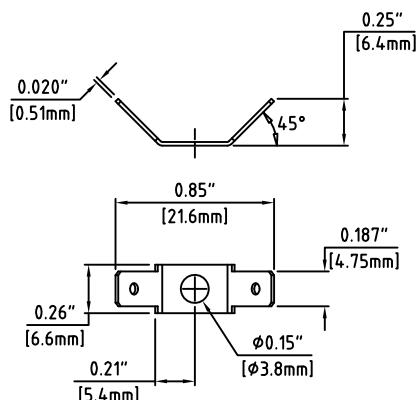


HD08

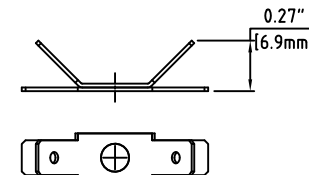
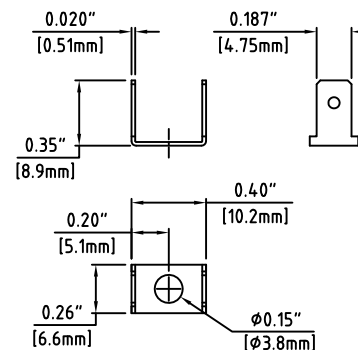
HD04



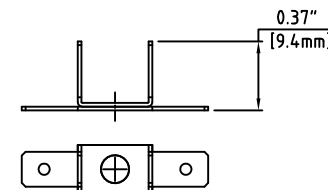
HD05



HD06



HD09



HD10

UNLESS OTHERWISE SPECIFIED BREAK ALL SHARP EDGES AND DEBURR ALL HOLES

TITLE: HARDWARE FOR USE WITH THE 3000, 5000¹, 5100¹, & TB5 SERIES

LIMITS: UNLESS OTHERWISE SPECIFIED
HUND. ±.02 FRACT. ±1/64
THOU. ±.005 ANGLE ±1°

SCALE

THIS IS A CONFIDENTIAL DRAWING AND MUST BE TREATED AS SUCH. NO DISTRIBUTION IS ALLOWED WITHOUT WRITTEN APPROVAL BY EBY ELECTRO INC.



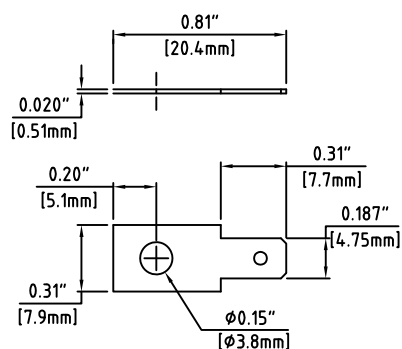
0.187" INSERTION TAB
FLAT QUICK CONNECT

0.187" INSERTION TAB
ANGLED QUICK CONNECT

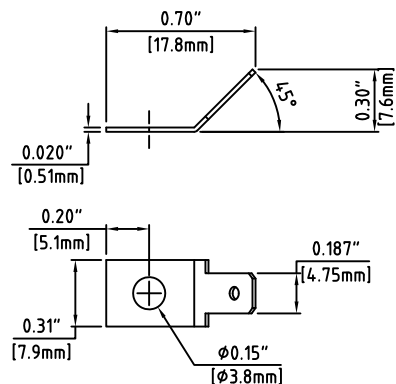
0.187" INSERTION TAB
VERTICAL QUICK CONNECT

0.187" INSERTION TAB
COMBINATION QUICK CONNECT

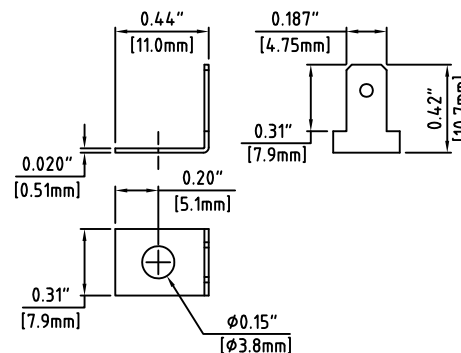
HD11



HD12



HD13



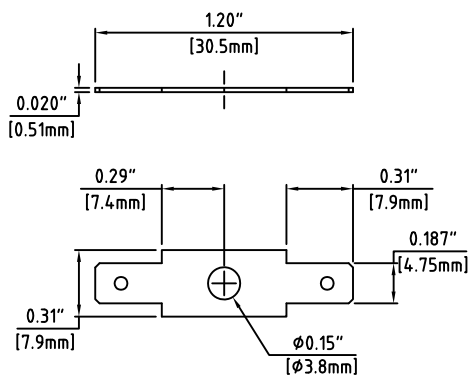
HD17



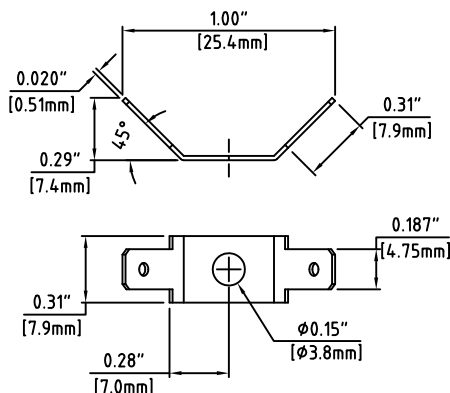
HD18



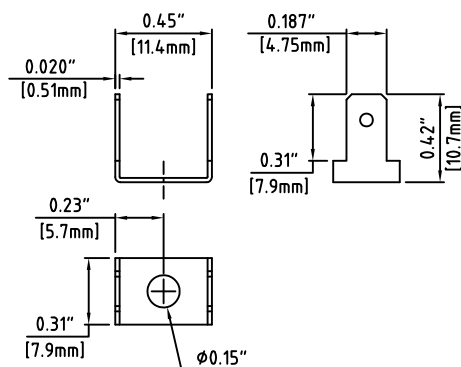
HD14



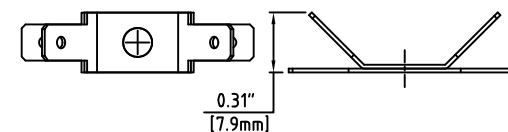
HD15



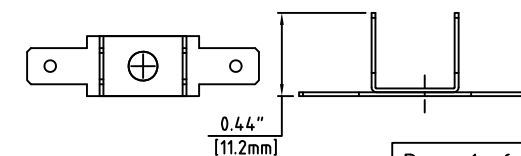
HD16



HD19



HD20



UNLESS OTHERWISE SPECIFIED BREAK ALL SHARP EDGES AND DEBURR ALL HOLES

TITLE:

HARDWARE FOR USE WITH THE 6000, 7000, TB6, TC6 SERIES

LIMITS: UNLESS OTHERWISE SPECIFIED
HUND. ±.02 FRACT. ±1/64
THOU. ±.005 ANGLE ±1°

SCALE

THIS IS A CONFIDENTIAL DRAWING AND MUST BE TREATED AS SUCH. NO DISTRIBUTION IS ALLOWED WITHOUT WRITTEN APPROVAL BY EBY ELECTRO INC.



IMPORTANT DISCLAIMER: All information provided on this print is for reference. Always perform your own tests and acquire samples and further information to determine product suitability. While we make effort to provide accurate information, we cannot be responsible for errors either of omission or typographical. EBY Electro, Inc. assumes no responsibility for the use or suitability of any product. All products and specifications are subject to change without prior written notice.

METRIC LIMITS
ONE PLACE ±0.3
TWO PLACES ±0.10
ANGLE ± 1°

DRAWN: JM DATE: 07/13/10
CHECKED: DATE: _____
APPROVED: DATE: _____

SIZE

DRAWING NUMBER:

310/250/187-0001

REV.

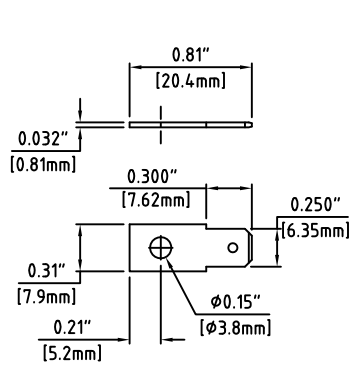
0.250" INSERTION TAB
FLAT QUICK CONNECT

0.250" INSERTION TAB
ANGLED QUICK CONNECT

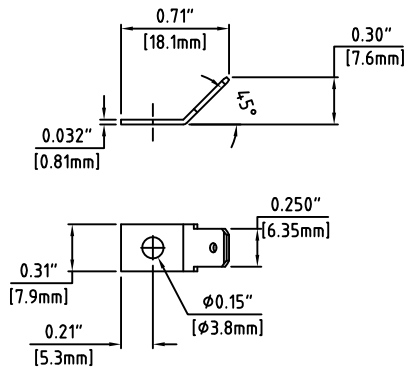
0.250" INSERTION TAB
VERTICAL QUICK CONNECT

0.250" INSERTION TAB
COMBINATION QUICK CONNECT

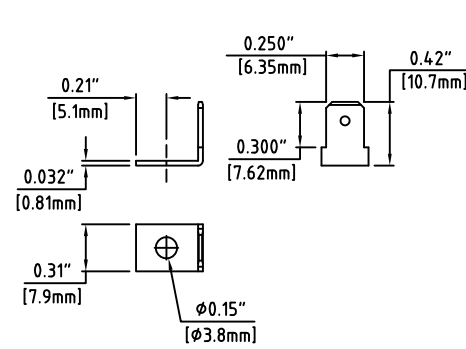
HD21



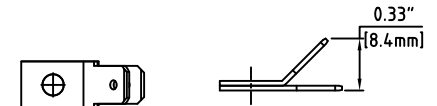
HD22



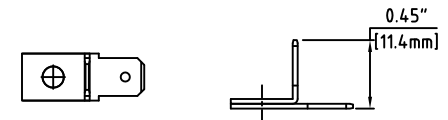
HD23



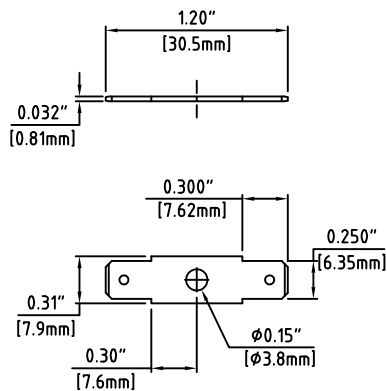
HD27



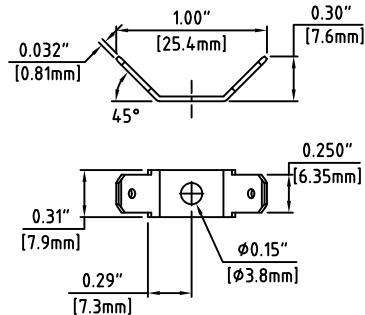
HD28



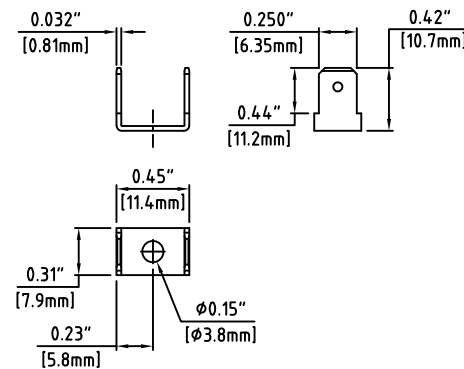
HD24



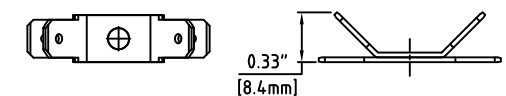
HD25



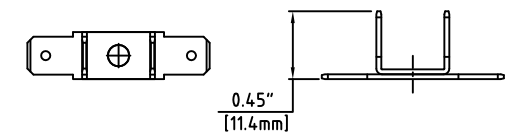
HD26



HD29



HD30



UNLESS OTHERWISE SPECIFIED BREAK ALL SHARP EDGES AND DEBURR ALL HOLES

TITLE: **HARDWARE FOR USE WITH THE 6000, 7000, TB6, TC6 SERIES**

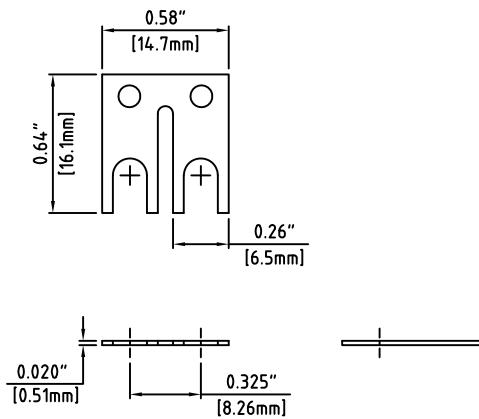
LIMITS: UNLESS OTHERWISE SPECIFIED
 HUND.±.02 FRACT.±1/64 THOU.±.005 ANGLE±1°

SCALE: THIS IS A CONFIDENTIAL DRAWING AND MUST BE TREATED AS SUCH. NO DISTRIBUTION IS ALLOWED WITHOUT WRITTEN APPROVAL BY EBY ELECTRO INC.

EBY Electro Inc.
PLAINVIEW, NY 11803

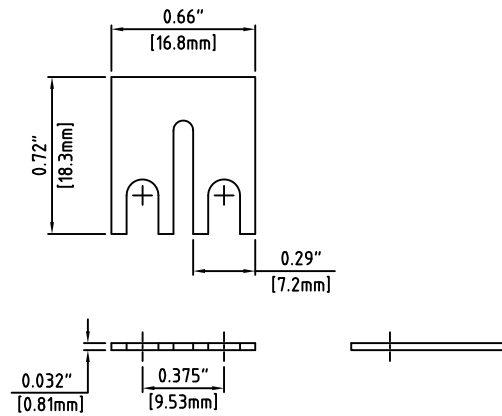
0.325" SPACING

HD80



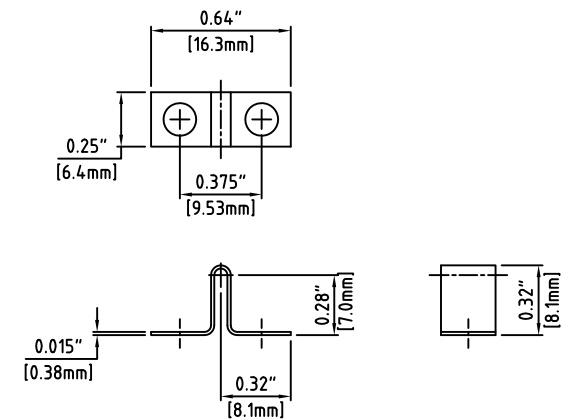
0.375" SPACING

HD90

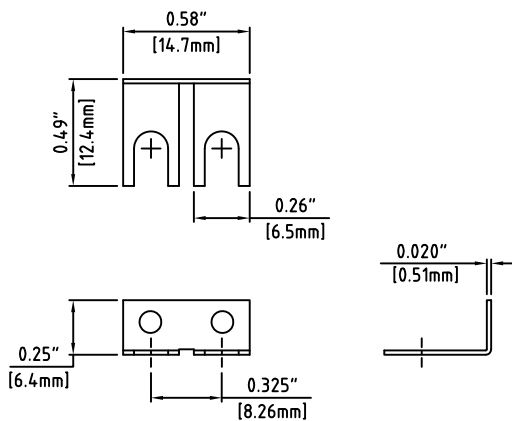


0.375 SPACING FOR 6000 SERIES ONLY

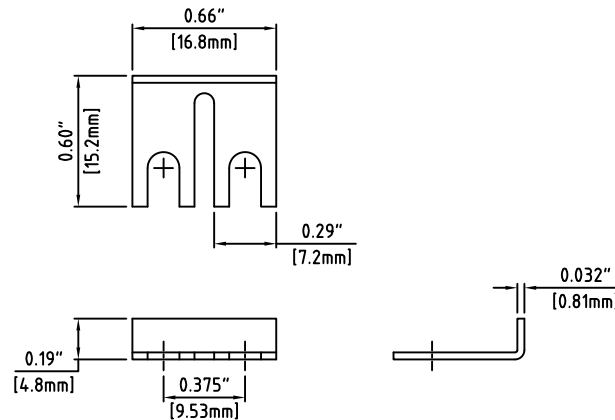
HD95



HD82



HD92



UNLESS OTHERWISE SPECIFIED BREAK ALL SHARP EDGES AND DEBURR ALL HOLES

TITLE: BARRIER BLOCK JUMPERS
0.325" or 0.375" SPACING

LIMITS: UNLESS OTHERWISE SPECIFIED
HUND: ±.02 FRACT: ±1/64
THOU: ±.005 ANGLE: ±1°

SCALE: THIS IS A CONFIDENTIAL DRAWING AND MUST BE TREATED AS SUCH. NO DISTRIBUTION IS ALLOWED WITHOUT WRITTEN APPROVAL BY EB BY ELECTRO INC.



IMPORTANT DISCLAIMER: All information provided on this print is for reference. Always perform your own tests and acquire samples and further information to determine product suitability. While we make effort to provide accurate information, we cannot be responsible for errors either of omission or typographical. EB Electro, Inc. assumes no responsibility for the use or suitability of any product. All products and specifications are subject to change without prior written notice.

METRIC LIMITS
ONE PLACE ±0.3
TWO PLACES ±0.10
ANGLE ± 1°

DRAWN: JM DATE: 07/14/10
CHECKED: DATE: _____
APPROVED: DATE: _____

SIZE: DRAWING NUMBER:

JMPR-0001

REV.