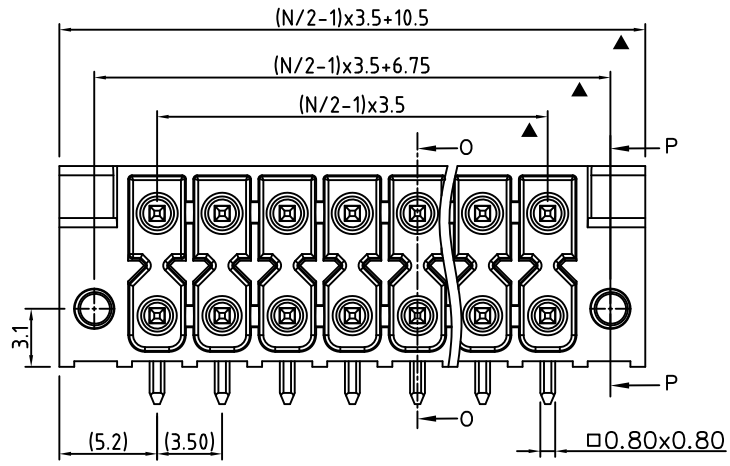
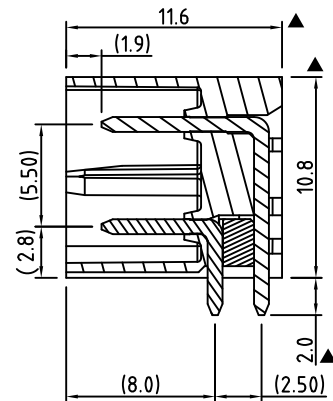


RoHS Compliant

Rev.	ECO#	Date	By
A	1539-0423	10/14/21	MWP

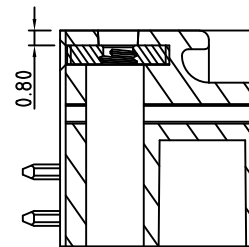
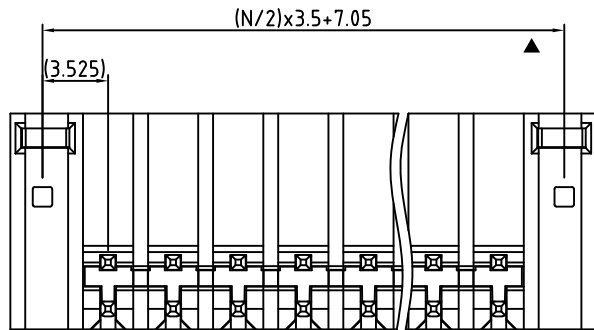


N = Number of Contacts



SECTION 0-0

Material:	
Contact Solder Pin:	Copper, Matte Tin Plating
Insulating Body:	LCP, UL94V-0
Mounting Nut:	M2.0, Brass, Nickel Plating
Electrical	
Voltage Rating:	150 VAC
Current rating:	8 AMPS
Withstand Voltage:	1300 VAC, Test time 60 seconds
Mechanical	
Operating Temperature:	-40°C to +130°C -40°F to +266°F
Soldering Temperature:	260°C, 500°F for 10 seconds max.
Safety Approval:	UL US



SECTION P-P

Part Number Configuration.

HC5350M-XX-X00

Number of Positions

Color  
0-Black  
5-Green

Notes:

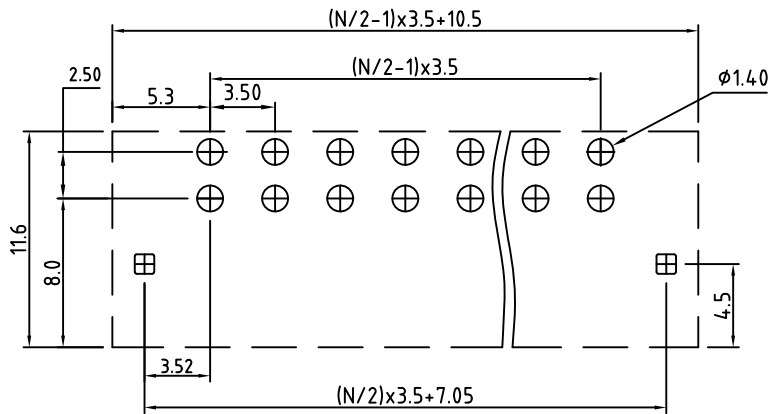
(▲) = Critical Dimensions

(Other Color Options Available)  
Please consult Factory

MAX NUMBER OF POSITIONS = 24 (2x12)

UNLESS OTHERWISE SPECIFIED BREAK ALL SHARP EDGES AND DEBURR ALL HOLES  
TITLE: 3.50mm SPACING, PLUGGABLE HEADER HORIZONTAL

LIMITS: UNLESS OTHERWISE SPECIFIED HUND. ±.02 FRACT. ±1/64 THOU. ±.005 ANGLE ±1°	SCALE	THIS IS A CONFIDENTIAL DRAWING AND MUST BE TREATED AS SUCH. NO DISTRIBUTION IS ALLOWED WITHOUT WRITTEN APPROVAL BY EBYP ELECTRO INC.	<b>EBYP</b> Electro Inc. PLAINVIEW, NY 11803
--	-------	--	---



P.C.B Layout

IMPORTANT DISCLAIMER: All information provided on this print is for reference. Always perform your own tests and acquire samples and further information to determine product suitability. While we make effort to provide accurate information, we cannot be responsible for errors either of omission or typographical. EBYP Electro, Inc. assumes no responsibility for the use or suitability of any product. All products and specifications are subject to change without prior written notice.

METRIC LIMITS ONE PLACE ±0.3 TWO PLACES ±0.10 ANGLE ±1°	DRAWN MWP CHECKED _____ APPROVED _____	DATE 02/03/15 DATE _____ DATE _____	SIZE A	DRAWING NUMBER: HC5350M-XX-X00	REV. A
--	--	---	-----------	-----------------------------------	-----------