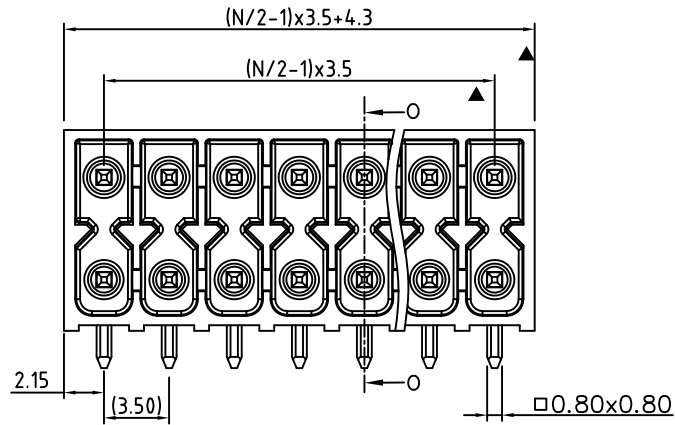
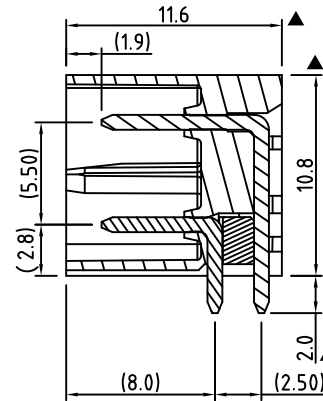


RoHS Compliant

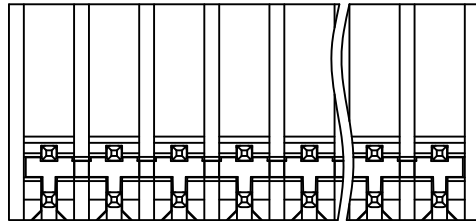
Rev.	ECO#	Date	By
A	1540-0423	10/14/21	MWP



N = Number of Contacts



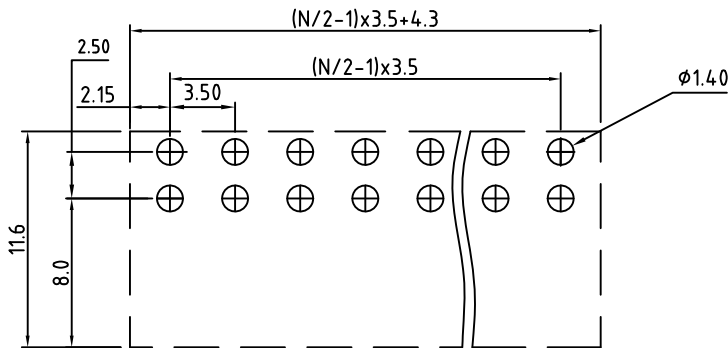
Material:	
Contact Solder Pin:	Copper, Matte Tin Plating
Insulating Body:	Thermoplastic, High-temp, UL94V-0
Electrical	
Voltage Rating:	150 VAC
Current rating:	8 AMPS
Withstand Voltage:	1300 VAC, Test time 60 seconds
Mechanical	
Operating Temperature:	-40°C to +130°C -40°F to +266°F
Soldering Temperature:	260°C, 500°F for 10 seconds max.
Safety Approval:	



### Part Number Configuration

HC5350-XX-X00

Number of Positions: XX  
Color: X00  
0-Black  
5-Green



P.C.B Layout

(Other Color Options Available)  
Please consult Factory

MAX NUMBER OF POSITIONS = 24 (2X12)

UNLESS OTHERWISE SPECIFIED BREAK ALL SHARP EDGES AND DEBURR ALL HOLES	TITLE: 3.50mm SPACING, PLUGGABLE HEADER HORIZONTAL, CLOSED
---	--

LIMITS: UNLESS OTHERWISE SPECIFIED HUND. ±.02 FRACT. ±1/64 THOU. ±.005 ANGLE ±1°	SCALE	THIS IS A CONFIDENTIAL DRAWING AND MUST BE TREATED AS SUCH. NO DISTRIBUTION IS ALLOWED WITHOUT WRITTEN APPROVAL BY EBY ELECTRO INC.	 PLAINVIEW, NY 11803
--	-------	---	-------------------------

IMPORTANT DISCLAIMER: All information provided on this print is for reference. Always perform your own tests and acquire samples and further information to determine product suitability. While we make effort to provide accurate information, we cannot be responsible for errors either of omission or typographical. EBY Electro, Inc. assumes no responsibility for the use or suitability of any product. All products and specifications are subject to change without prior written notice.

METRIC LIMITS ONE PLACE ±0.3 TWO PLACES ±0.10 ANGLE ±1°	DRAWN: AJT CHECKED: _____ APPROVED: _____	DATE: 02/03/15 DATE: _____ DATE: _____	SIZE: A	DRAWING NUMBER: HC5350-XX-X00	REV.: A
--	---	--	---------	-------------------------------	---------