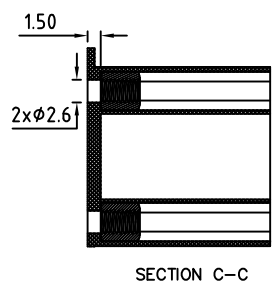
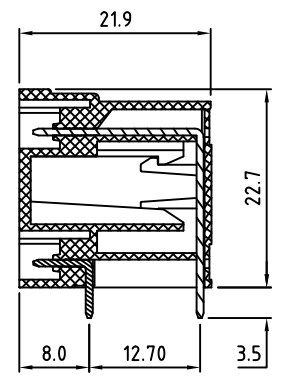
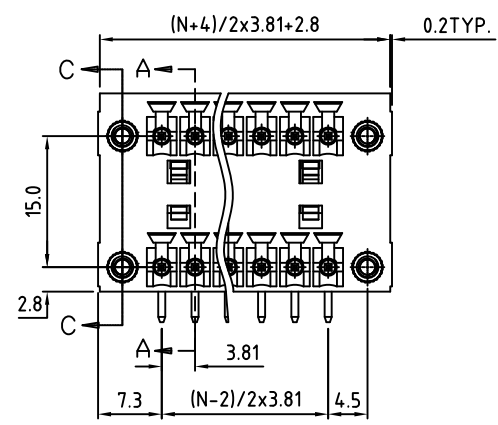


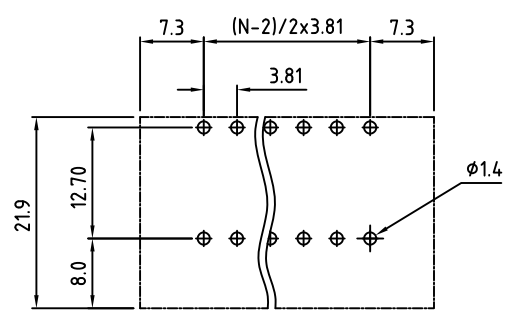
RoHS Compliant

Rev.	ECO#	Date	By
C	1590-0824	08/22/24	MWP



Material:	
Contact Solder Pins:	Copper, Tin Plated
Insulating Body:	Polyamide, UL94V-0, Green
Electrical	
Voltage Rating:	300 VAC
Current rating:	10 AMPS
Withstand Voltage:	1500 VAC, Test time 60 seconds
Mechanical	
Operating Temperature:	-40°C to +115°C -40°F to +239°F
Soldering Temperature:	260°C, 500°F for 5 seconds max.
Safety Approval:	US

N=Number of Positions



Recommended P.C.B. Layout

Part Number Configuration.

EB1381M-XX-X10
 Number of Positions: XX
 Color: X10 (0-Black, 5-Green)

(Other Color Options Available)
 Please consult Factory

Max Number of Positions = 485 (2x24) All Dimensions in Millimeters

TITLE: 3.81mm SPACING, PLUGGABLE BLOCK, WITH MOUNTING ENDS, DUAL LEVEL

METRIC LIMITS
 ONE PLACE ±0.3
 TWO PLACES ±0.10
 ANGLE ± 1°

SCALE: THIS IS A CONFIDENTIAL DRAWING AND MUST BE TREATED AS SUCH. NO DISTRIBUTION IS ALLOWED WITHOUT WRITTEN APPROVAL BY EB ELECTRO INC.



IMPORTANT DISCLAIMER: All information provided on this print is for reference. Always perform your own tests and acquire samples and further information to determine product suitability. While we make effort to provide accurate information, we cannot be responsible for errors either of omission or typographical. EB Electro, Inc. assumes no responsibility for the use or suitability of any product. All products and specifications are subject to change without prior written notice.

DRAWN MWP DATE 04/04/07
 CHECKED DATE
 APPROVED DATE

SIZE A DRAWING NUMBER: EB1381M-XX-X10 REV. C