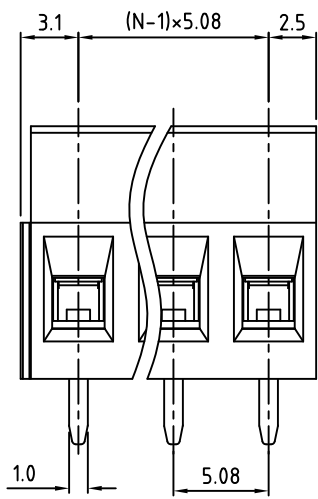
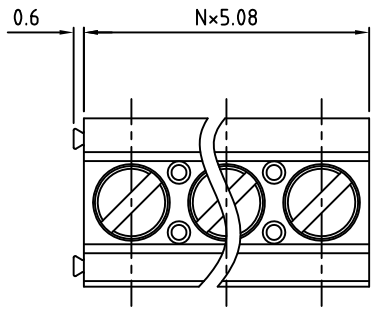
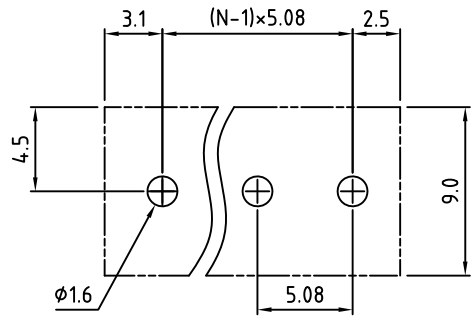
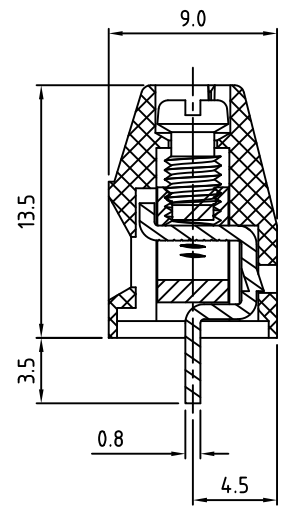


RoHS Compliant

| | | | |
|------|-----------|----------|-----|
| Rev. | ECO# | Date | By |
| B | 0259-0213 | 02/14/13 | MWP |



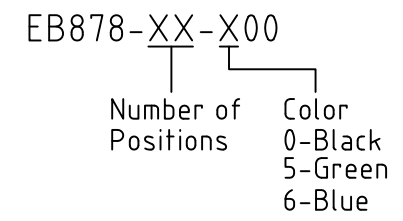
N=Number of Positions



PCB Layout

| Material: | |
|------------------------|-------------------------------------|
| Contact Block: | Brass, Ni Plated |
| Contact Solder Pin: | Brass, Tin Plated |
| Screw: | M3, Steel, Zinc Plated, "-" slotted |
| Insulating Body: | Polyamide, UL94V-0 |
| Electrical | |
| Voltage Rating: | 300 VAC |
| Current rating: | 16 AMPS |
| Withstand Voltage: | 1500 VAC, Test time 60 sec |
| Wire Range: | 12-28 AWG |
| Mechanical | |
| Torque: | 3.5 lbs-in. Max |
| Operating Temperature: | -40°C to +115°C -40°F to +239°F |
| Soldering Temperature: | 260°C, 500°F for 5 seconds |
| Safety Approval: | UL US |

Part Number Configuration.



(Other Color Options Available)
Please consult Factory

Max Number of Positions = 24

| | |
|---|--|
| UNLESS OTHERWISE SPECIFIED BREAK ALL SHARP EDGES AND DEBURR ALL HOLES | TITLE: 5.08mm SPACING, CAGE CLAMP BLOCK |
|---|--|

| | | | |
|---|-------|--|-------------------------------------|
| LIMITS: UNLESS OTHERWISE SPECIFIED HUND. ±0.02 FRACT. ±1/64 THOU. ±0.005 ANGLE ±1° | SCALE | THIS IS A CONFIDENTIAL DRAWING AND MUST BE TREATED AS SUCH. NO DISTRIBUTION IS ALLOWED WITHOUT WRITTEN APPROVAL BY EBYP ELECTRO INC. | Electro Inc. PLAINVIEW, NY 11803 |
|---|-------|--|-------------------------------------|

IMPORTANT DISCLAIMER: All information provided on this print is for reference. Always perform your own tests and acquire samples and further information to determine product suitability. While we make effort to provide accurate information, we cannot be responsible for errors either of omission or typographical. EBYP Electro, Inc. assumes no responsibility for the use or suitability of any product. All products and specifications are subject to change without prior written notice.

| | | | | | |
|--|---------------------------------|-------------------------------|-----------|---------------------------------|-----------|
| METRIC LIMITS ONE PLACE ±0.3 TWO PLACES ±0.10 ANGLE ±1° | DRAWN JM CHECKED APPROVED | DATE 09/10/10 DATE DATE | SIZE A | DRAWING NUMBER: EB878-XX-X00 | REV. B |
|--|---------------------------------|-------------------------------|-----------|---------------------------------|-----------|