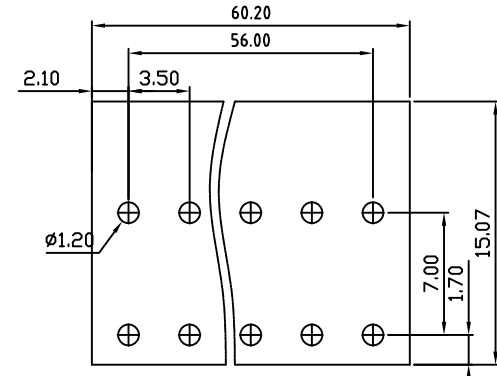
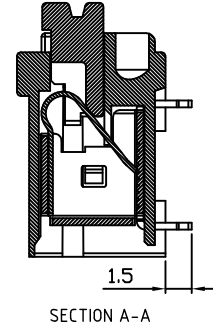
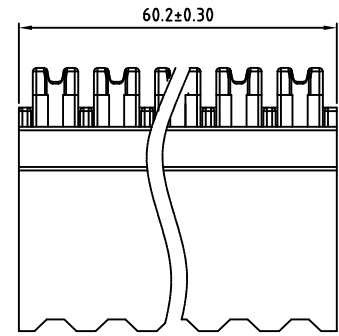
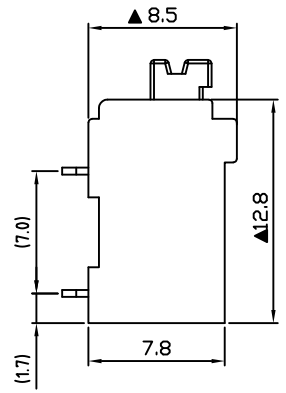
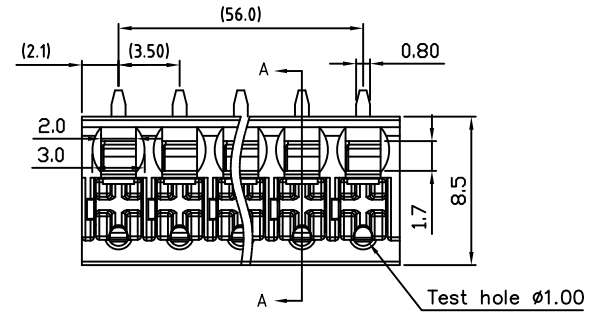


RoHS Compliant

Rev.	ECO#	Date	By

Material:	
Spring:	Stainless Steel
Solder Pin:	PhBz, Tin Plated
Push Button:	Thermoplastic UL94V-0, White RAL 9001
Insulating Body:	Thermoplastic UL94V-0, Black RAL 9005
Electrical	
Voltage Rating:	300 VAC, Group B 300 VAC, Group D
Current rating:	12 AMPS, Group B 10 AMPS, Group D
Withstand Voltage:	1600 VAC, Test time 60 sec
Wire Range:	14-28 AWG
Wire Strip Length:	8-9mm
Mechanical	
Operating Temperature:	-40°C to +115°C -40°F to +239°F
Soldering Temperature:	260°C, 500°F for 5 seconds
Safety Approval:	CSA US Pending



Recommended PCB Layout

All Dimensions in Millimeters

TITLE: 3.50mm Spacing, Screwless Assembly

METRIC LIMITS
ONE PLACE ±0.3
TWO PLACES ±0.10
ANGLE ± 1°

SCALE

THIS IS A CONFIDENTIAL DRAWING AND MUST BE TREATED AS SUCH. NO DISTRIBUTION IS ALLOWED WITHOUT WRITTEN APPROVAL BY EB ELECTRO INC.



IMPORTANT DISCLAIMER: All information provided on this print is for reference. Always perform your own tests and acquire samples and further information to determine product suitability. While we make effort to provide accurate information, we cannot be responsible for errors either of omission or typographical. EB Electro, Inc. assumes no responsibility for the use or suitability of any product. All products and specifications are subject to change without prior written notice.

DRAWN MWP DATE 07/24/24
CHECKED DATE
APPROVED DATE

SIZE A

DRAWING NUMBER: EB5900-XX-000

REV.