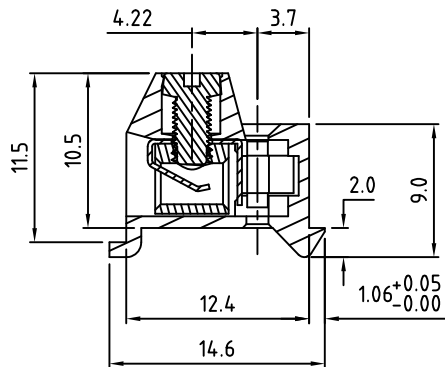
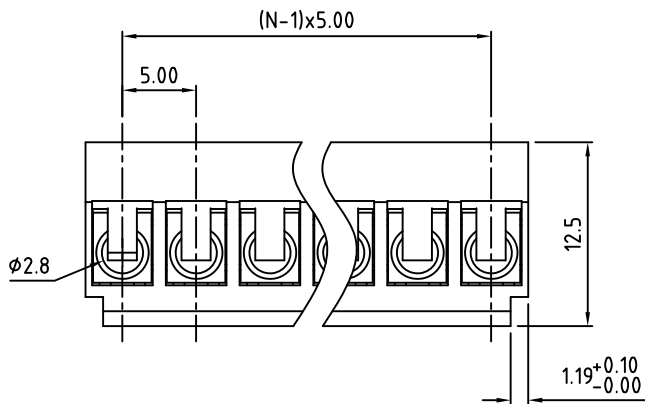


| Material: | |
|------------------------|---------------------------------------|
| Contact Block: | Brass (CuZn), Nickel Plated |
| Wire Guard: | PhBz, Tin Plated |
| Screw: | M2.6, Steel, Zinc Plated, "-" Slotted |
| Insulating Body: | Polyamide, UL94V-0, Black |
| Electrical | |
| Voltage Rating: | 300 VAC |
| Current rating: | 10 AMPS |
| Withstand Voltage: | 1500 VAC, Test time 60 sec |
| Wire Range: | 14-26 AWG |
| Mechanical | |
| Torque: | 3.5 lbs-in. Max |
| Operating Temperature: | -30°C to +105°C -22°F to +221°F |
| Safety Approval: | UL US |



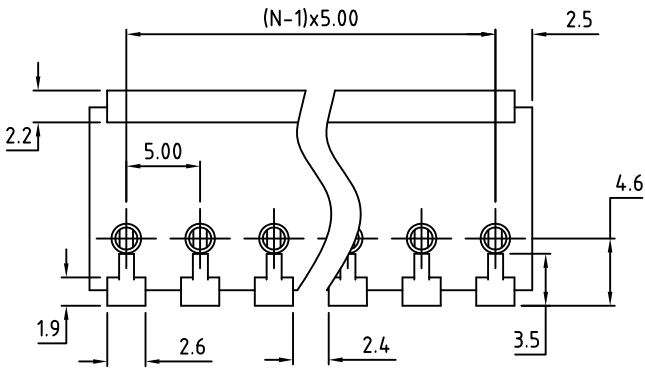
N=Number of Positions

Part Number Configuration

EB550-XXDS-000

Number of Positions

Notes:
1-Mates with a Ø1.0mm pin



MAX NUMBER OF POSITIONS = 24

| | | |
|---|--|--|
| UNLESS OTHERWISE SPECIFIED BREAK ALL SHARP EDGES AND DEBURR ALL HOLES | TITLE: 5.00mm SPACING, PLUGGABLE BLOCK 2-FINGER CONTACT CLIP, CHASSIS MOUNT | |
| | LIMITS: UNLESS OTHERWISE SPECIFIED HUND.±.02 FRACT.±1/64 THOU.±.005 ANGLE±1° | SCALE THIS IS A CONFIDENTIAL DRAWING AND MUSTBE TREATED AS SUCH. NO DISTRIBUTION IS ALLOWED WITHOUT WRITTEN APPROVAL BY EB5 ELECTRO INC. |



IMPORTANT DISCLAIMER: All information provided on this print is for reference. Always perform your own tests and acquire samples and further information to determine product suitability. While we make effort to provide accurate information, we cannot be responsible for errors either of omission or typographical. EB5 Electro, Inc. assumes no responsibility for the use or suitability of any product. All products and specifications are subject to change without prior written notice.

| | | | | | |
|---|----------------------------------|-------------------------------|-----------|-----------------------------------|-----------|
| METRIC LIMITS ONE PLACE ±0.3 TWO PLACES ±0.10 ANGLE ± 1° | DRAWN MWP CHECKED APPROVED | DATE 06/29/99 DATE DATE | SIZE A | DRAWING NUMBER: EB550-XXDS-000 | REV. H |
|---|----------------------------------|-------------------------------|-----------|-----------------------------------|-----------|