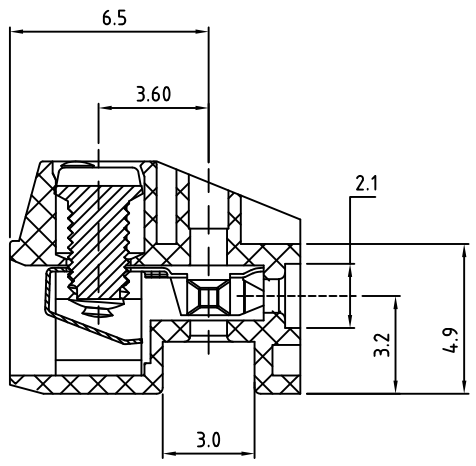
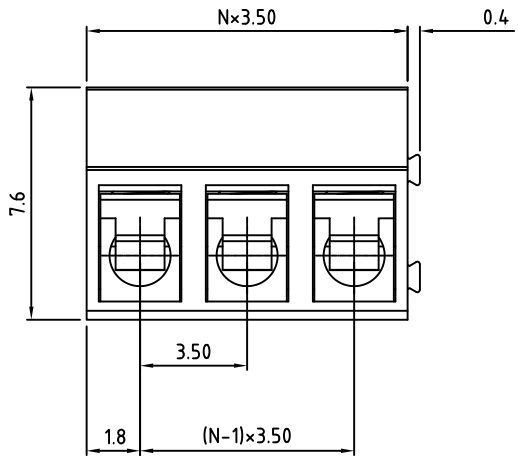


RoHS Compliant

Rev.	ECO#	Date	By
E	1603-1124	11/25/24	MWP

N=Number of Positions



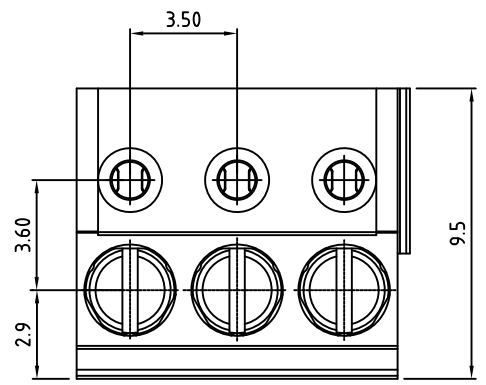
Material:	
Contact Block:	Brass, Ni Plated
Wire Guard:	PhBz
Screw:	M2, Steel, Zinc Plated, "-" slotted
Insulating Body:	Polyamide, UL94V-0
Electrical	
Voltage Rating:	150 VAC
Current rating:	10 AMPS
Withstand Voltage:	1500 VAC, Test time 60 sec
Wire Range:	16-28 AWG
Mechanical	
Torque:	1.1 lbs-in. Max
Operating Temperature:	-40°C to +105°C -40°F to +221°F
Safety Approval:	US

Part Number Configuration.

EB505-XXDS-X00

Number of Positions: X
Color Option: D (0-Black, 5-Green, 6-Blue)

(Other Color Options Available)
(Please consult Factory)



Max Number of Positions = 24 All Dimensions in Millimeters

TITLE: 3.50mm SPACING, PLUGGABLE BLOCK

METRIC LIMITS
ONE PLACE ±0.3
TWO PLACES ±0.10
ANGLE ± 1°

SCALE

THIS IS A CONFIDENTIAL DRAWING AND MUST BE TREATED AS SUCH. NO DISTRIBUTION IS ALLOWED WITHOUT WRITTEN APPROVAL BY EB ELECTRO INC.



IMPORTANT DISCLAIMER: All information provided on this print is for reference. Always perform your own tests and acquire samples and further information to determine product suitability. While we make effort to provide accurate information, we cannot be responsible for errors either of omission or typographical. EB Electro, Inc. assumes no responsibility for the use or suitability of any product. All products and specifications are subject to change without prior written notice.

DRAWN MWP DATE 11/13/02
CHECKED DATE
APPROVED DATE

SIZE A

DRAWING NUMBER: EB505-XXDS-X00

REV. E