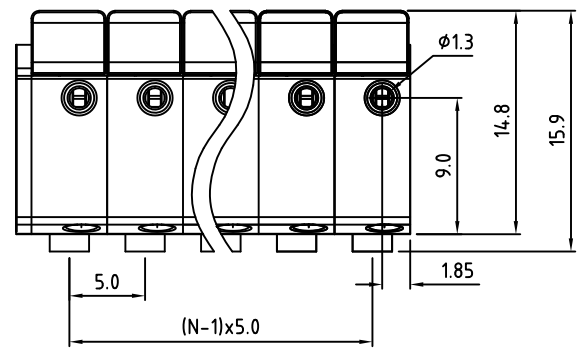
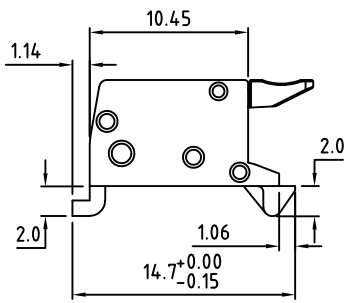
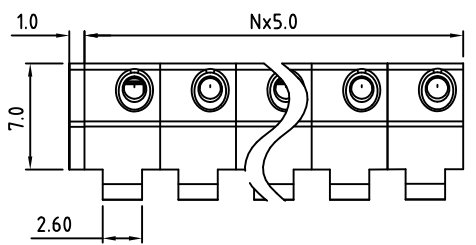


RoHS Compliant

Rev.	ECO#	Date	By
H	1524-0822	08/25/22	MWP



Material:	
Contact Block:	Brass, Tin Plated
Wire Retention Spring:	Stainless Steel
Insulating Body:	Polyamide PA66, UL94V-0
Electrical	
Voltage Rating:	300 VAC
Current rating:	7 AMPS, Solid Wire 5 AMPS, Stranded Wire
Wire Range:	Solid: 18-22 AWG Stranded: 20-22 AWG
Mechanical	
Operating Temperature:	-40°C to +115°C -40°F to +239°F
Safety Approval:	US



Part Number Configuration.

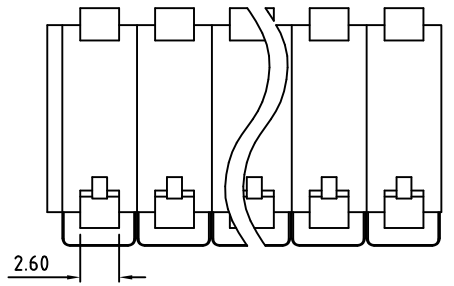
EB4885-XX-X00

Number of Positions Color Option
 0-Black
 8-Grey

(Other Color Options Available)
 (Please consult Factory)

NOTES:

- Mates with a $\phi 1.1\text{mm}$ pin
- Contact pinch point for mating pin is 2.5mm below top surface of the terminal block
- Mating pin should be min 1.0mm beyond contact pinch point



Max Number of Positions = 24 All Dimensions in Millimeters

TITLE: 5.00mm SPACING, MODULAR, PLUGGABLE

METRIC LIMITS
 ONE PLACE ± 0.3
 TWO PLACES ± 0.10
 ANGLE $\pm 1^\circ$

SCALE

THIS IS A CONFIDENTIAL DRAWING AND MUST BE TREATED AS SUCH. NO DISTRIBUTION IS ALLOWED WITHOUT WRITTEN APPROVAL BY EB ELECTRO INC.



IMPORTANT DISCLAIMER: All information provided on this print is for reference. Always perform your own tests and acquire samples and further information to determine product suitability. While we make effort to provide accurate information, we cannot be responsible for errors either of omission or typographical. EB Electro, Inc. assumes no responsibility for the use or suitability of any product. All products and specifications are subject to change without prior written notice.

DRAWN MWP DATE 07/03/13
 CHECKED DATE
 APPROVED DATE

SIZE
 A

DRAWING NUMBER:
 EB4885-XX-X00

REV.
 H