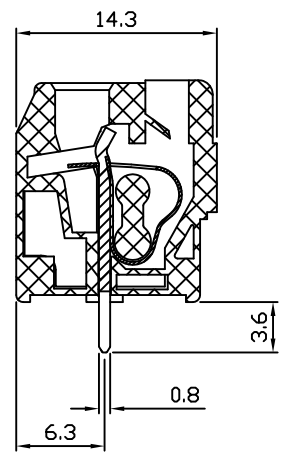
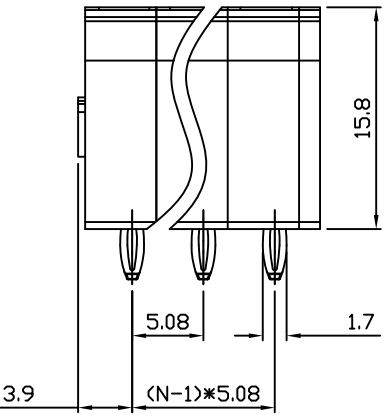
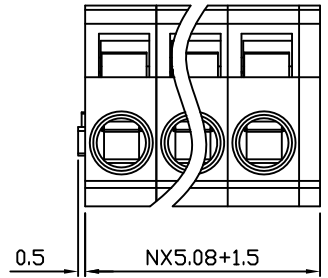


RoHS Compliant

|      |           |          |     |
|------|-----------|----------|-----|
| Rev. | ECO#      | Date     | By  |
| D    | 0370-0313 | 03/27/13 | AJT |



| Material:              |                                    |
|------------------------|------------------------------------|
| Contact Press Pin:     | Brass, Tin Plated                  |
| Wire Retention Spring: | Stainless Steel                    |
| Insulating Body:       | Polyamide, UL94V-0                 |
| Electrical             |                                    |
| Voltage Rating:        | 250 VAC                            |
| Current rating:        | 8 AMPS                             |
| Withstand Voltage:     | 1500 VAC, Test time 60 sec         |
| Wire Range:            | 12-28 AWG                          |
| Mechanical             |                                    |
| Operating Temperature: | -40°C to +105°C<br>-40°F to +221°F |
| Safety Approval:       | US                                 |

N=Number of contacts

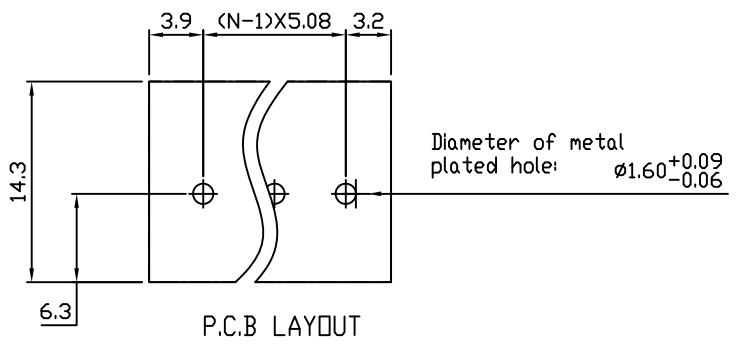
Part Number Configuration.

EB488-XX-810

Number of Positions: 8  
Color: 8-Grey

(Other Color Options Available)  
Please consult Factory

MAX NUMBER OF POSITIONS = 24



|   |  |   |   |
|---|--|---|---|
| UNLESS OTHERWISE SPECIFIED BREAK ALL SHARP EDGES AND DEBURR ALL HOLES | TITLE:   | 5.08mm SPACING, SCREWLESS BLOCK PRESS FIT |   |
|   | LIMITS: UNLESS OTHERWISE SPECIFIED<br>HUND.±.02 FRACT.±1/64<br>THOU.±.005 ANGLE±1° | SCALE                                     | THIS IS A CONFIDENTIAL DRAWING AND MUSTBE TREATED AS SUCH. NO DISTRIBUTION IS ALLOWED WITHOUT WRITTEN APPROVAL BY EB488-XX-810. |
| <br>PLAINVIEW, NY 11803   |  | DRAWING NUMBER:                           | EB488-XX-810  |
|   |  | REV.                                      | D   |

IMPORTANT DISCLAIMER: All information provided on this print is for reference. Always perform your own tests and acquire samples and further information to determine product suitability. While we make effort to provide accurate information, we cannot be responsible for errors either of omission or typographical. EB488-XX-810 Electro, Inc. assumes no responsibility for the use or suitability of any product. All products and specifications are subject to change without prior written notice.

|  |                                 |                               |        |                                 |           |
|--|---------------------------------|-------------------------------|--------|---------------------------------|-----------|
| METRIC LIMITS<br>ONE PLACE ±0.3<br>TWO PLACES ±0.10<br>ANGLE ±1° | DRAWN JM<br>CHECKED<br>APPROVED | DATE 08/02/07<br>DATE<br>DATE | SIZE A | DRAWING NUMBER:<br>EB488-XX-810 | REV.<br>D |
|--|---------------------------------|-------------------------------|--------|---------------------------------|-----------|