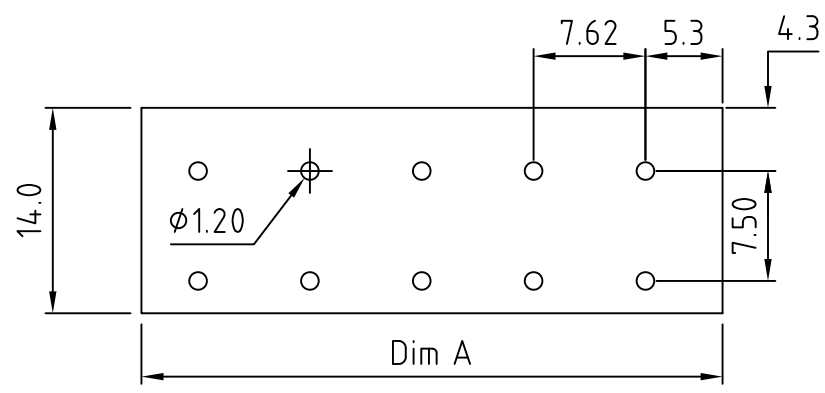
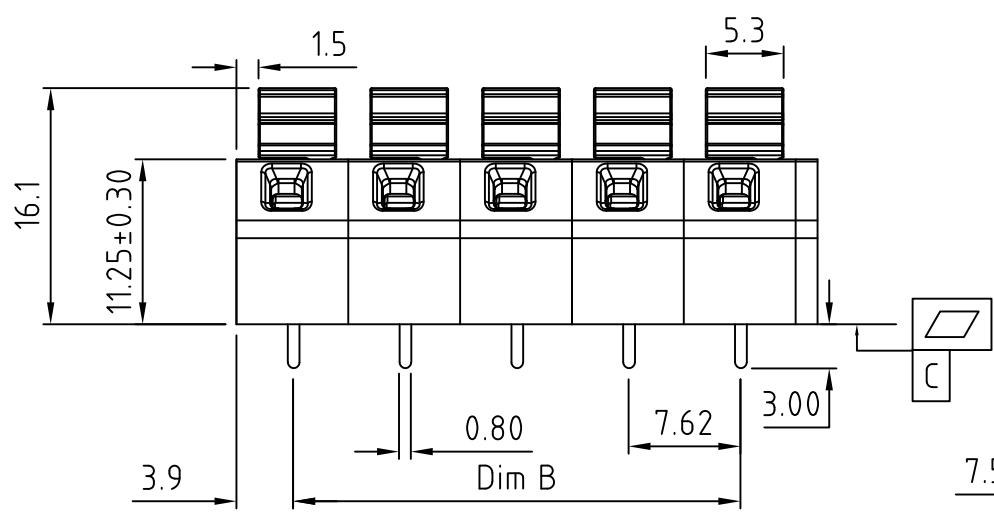
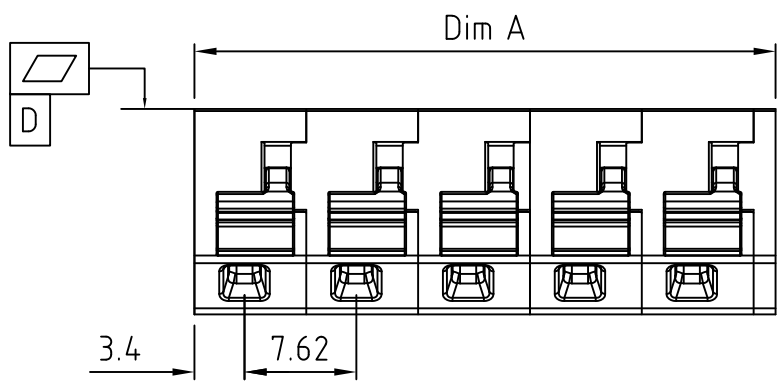


RoHS Compliant

Rev.	ECO#	Date	By



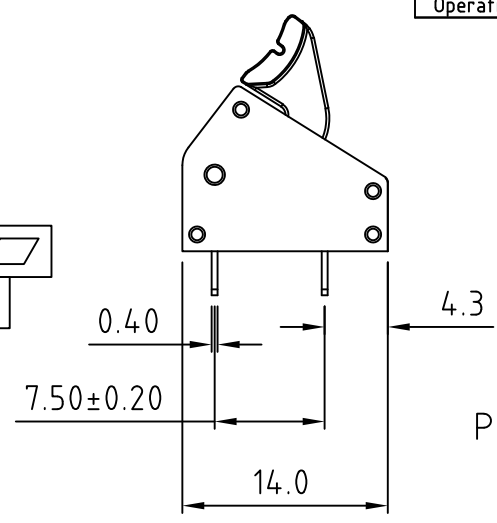
Recommended P.C.B. Layout

Material:	
Contact:	Brass, Tin Plated
Wire Retention Spring:	Stainless Steel
Insulating Body:	Polyamide PA66, UL94V-0
Electrical	
Voltage Rating:	300 VAC
Current rating:	8 Amp
Wire Range:	14-22 AWG
Mechanical	
Operating Temperature:	-40°C to +115°C -40°F to +239°F

N = Number of Positions

Dim A	$N \times 7.62 + 1.5$
Dim B	$(N-1) \times 7.62$

Tolerance			
Poles	Dim A	Dim B	C&D
15P	±0.40	±0.30	0.40
25P	±0.80	±0.50	0.80



Part Number Configuration.
EB4862-XX-X00
 Number of Positions: XX
 Color Option: X00 (8-Grey)

Max Number of Positions = 30

UNLESS OTHERWISE SPECIFIED BREAK ALL SHARP EDGES AND DEBURR ALL HOLES	TITLE:	7.62mm, MODULAR, SCREWLESS
	SCALE	THIS IS A CONFIDENTIAL DRAWING AND MUST BE TREATED AS SUCH. NO DISTRIBUTION IS ALLOWED WITHOUT WRITTEN APPROVAL BY EB ELECTRO INC.

LIMITS: UNLESS OTHERWISE SPECIFIED HUND.±.02 FRACT.±1/64 THOU.±.005 ANGLE±1°	DRAWN	AJT	DATE	04/12/17	SIZE	DRAWING NUMBER:	REV.
	CHECKED		DATE				
	APPROVED		DATE		A	EB4862-XX-X00	



IMPORTANT DISCLAIMER: All information provided on this print is for reference. Always perform your own tests and acquire samples and further information to determine product suitability. While we make effort to provide accurate information, we cannot be responsible for errors either of omission or typographical. EB Electro, Inc. assumes no responsibility for the use or suitability of any product. All products and specifications are subject to change without prior written notice.