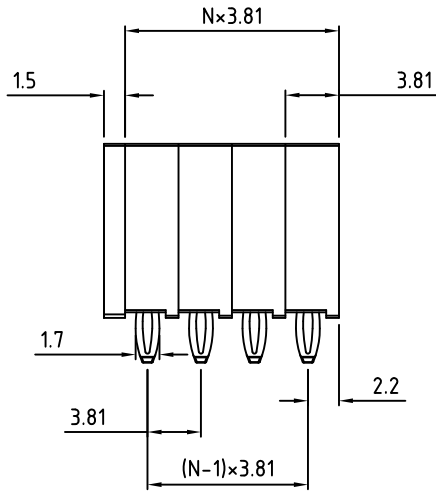
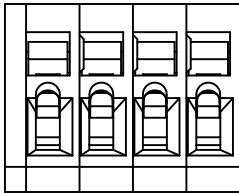
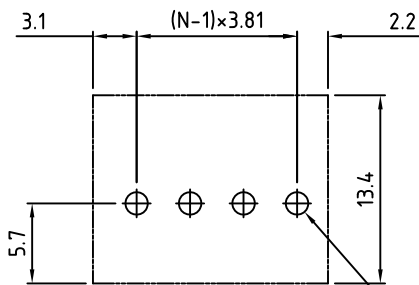
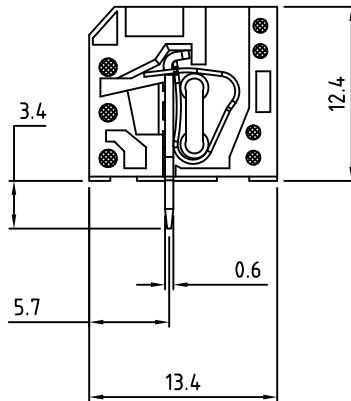


RoHS Compliant

Rev.	ECO#	Date	By
D	0334-0313	03/20/13	AJT



N = Number of Positions



P.C.B. Layout

Diameter of metal plated hole:
 $\phi 1.60^{+0.09}_{-0.06}$

Material:	
Contact Press Pin:	Brass, Tin Plated
Wire Retention Spring:	Stainless Steel
Insulating Body:	Polyamide, UL94V-0
Electrical	
Voltage Rating:	300 VAC
Current rating:	8 AMPS
Withstand Voltage:	1500 VAC, Test time 60 sec
Wire Range:	14-28 AWG
Mechanical	
Operating Temperature:	-40°C to +105°C -40°F to +221°F
Safety Approval:	US

Part Number Configuration.

EB486-XX-810

Number of Positions: 8
 Color: 8-Grey

(Other Color Options Available)
 Please consult Factory

MAX NUMBER OF POSITIONS = 24

UNLESS OTHERWISE SPECIFIED BREAK ALL SHARP EDGES AND DEBURR ALL HOLES
 TITLE: 3.81mm SPACING, SCREWLESS BLOCK PRESS FIT

LIMITS: UNLESS OTHERWISE SPECIFIED HUND. ± 0.2 THOU. ± 0.05	FRACT. ± 1/64 ANGLE ± 1°	SCALE	THIS IS A CONFIDENTIAL DRAWING AND MUST BE TREATED AS SUCH. NO DISTRIBUTION IS ALLOWED WITHOUT WRITTEN APPROVAL BY EB4 ELECTRO INC.	Electro Inc. PLAINVIEW, NY 11803
---	-----------------------------	-------	---	-------------------------------------

IMPORTANT DISCLAIMER: All information provided on this print is for reference. Always perform your own tests and acquire samples and further information to determine product suitability. While we make effort to provide accurate information, we cannot be responsible for errors either of omission or typographical. EB4 Electro, Inc. assumes no responsibility for the use or suitability of any product. All products and specifications are subject to change without prior written notice.

METRIC LIMITS ONE PLACE ± 0.3 TWO PLACES ± 0.10 ANGLE ± 1°	DRAWN <u>JM</u> CHECKED _____ APPROVED _____	DATE <u>07/25/07</u> DATE _____ DATE _____	SIZE <u>A</u>	DRAWING NUMBER: <u>EB486-XX-810</u>	REV. <u>D</u>
---	--	--	---------------	--	------------------