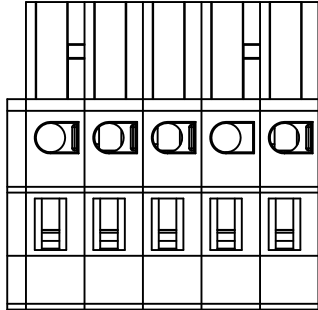
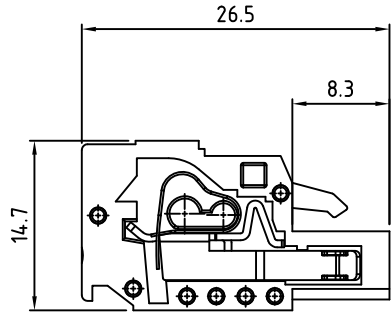
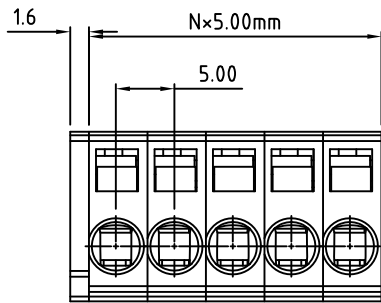


RoHS Compliant

| | | | |
|------|-----------|----------|-----|
| Rev. | ECO# | Date | By |
| D | 0208-0812 | 08/08/12 | MWP |



N=Number of contacts



| | |
|------------------------|------------------------------------|
| Material: | |
| Contact Clip: | PhBz, Tin Plated |
| Wire Retention Spring: | Stainless Steel |
| Insulating Body: | Polyamide, UL94V-0 |
| Electrical | |
| Voltage Rating: | 300 VAC |
| Current rating: | 15 AMPS |
| Withstand Voltage: | 1500 VAC, Test time 60 sec |
| Wire Range: | 12-28 AWG |
| Mechanical | |
| Operating Temperature: | -40°C to +105°C -40°F to +221°F |
| Safety Approval: | US |

Part Number Configuration.

EB480-XX-500

Number of Positions Color Option
5 5-Green

(Other Color Options Available)
(Please consult Factory)

MAX NUMBER OF POSITIONS = 24

UNLESS OTHERWISE SPECIFIED BREAK ALL SHARP EDGES AND DEBURR ALL HOLES
 TITLE: 5.00mm SPACING, HOOK ON ENTRY SIDE SCREWLESS PLUGGABLE BLOCK

| | | | |
|--|-------|---|-------------------------------------|
| LIMITS: UNLESS OTHERWISE SPECIFIED HUND.±.02 FRACT.±1/64 THOU.±.005 ANGLE±1° | SCALE | THIS IS A CONFIDENTIAL DRAWING AND MUSTBE TREATED AS SUCH. NO DISTRIBUTION IS ALLOWED WITHOUT WRITTEN APPROVAL BY EBYP ELECTRO INC. | Electro Inc. PLAINVIEW, NY 11803 |
|--|-------|---|-------------------------------------|

| | | | | | |
|---|---|--|--------------|-----------------|------|
| IMPORTANT DISCLAIMER: All information provided on this print is for reference. Always perform your own tests and acquire samples and further information to determine product suitability. While we make effort to provide accurate information, we cannot be responsible for errors either of omission or typographical. EBYP Electro, Inc. assumes no responsibility for the use or suitability of any product. All products and specifications are subject to change without prior written notice. | METRIC LIMITS ONE PLACE ±0.3 TWO PLACES ±0.10 ANGLE ± 1° | DRAWN <u> JM </u> DATE <u> 07/24/07 </u> | SIZE | DRAWING NUMBER: | REV. |
| | CHECKED _____ DATE _____ | A | EB480-XX-500 | D | |
| | APPROVED _____ DATE _____ | | | | |