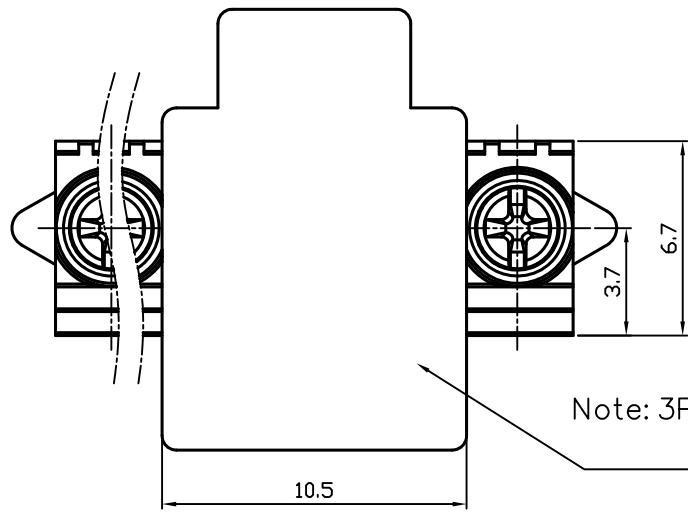


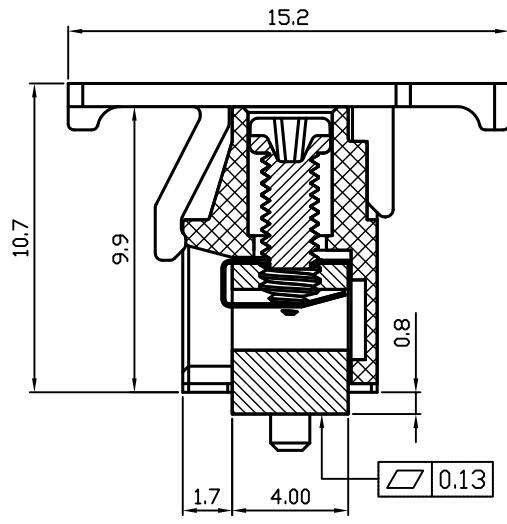
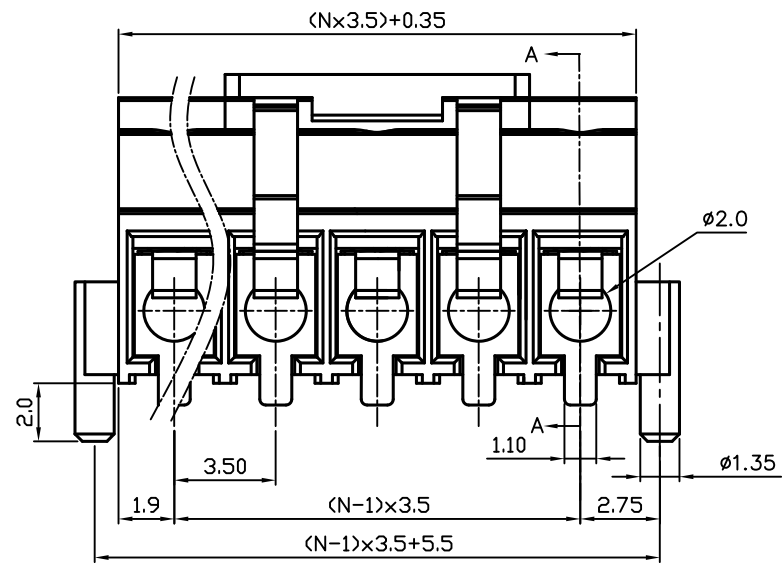
RoHS Compliant

Rev.	ECO#	Date	By
B	0859-0314	03/04/14	AJT



Note: 3P Cover for odd poles  
2p Cover for even poles

Material:	
Contact Solder Pin:	Brass, Tin Plated
Wire Guard:	Stainless Steel
Screw:	M2.0, Steel, Zinc Plated, Phil Slot
Insulating Body:	PA46, UL94V-0 Suitable for reflow
Cover:	PA46, UL94V-0
Electrical	
Voltage Rating:	150 VAC
Current rating:	10 AMPS
Withstand Voltage:	1500 VAC, Test time 60 sec
Wire Range:	16-26 AWG
Mechanical	
Torque:	2.0 Lbs-in. Max
Operating Temperature:	-45°C to +65°C -49°F to +149°F
Soldering Temperature:	280°C, 500°F for 5 seconds
Safety Approval:	US

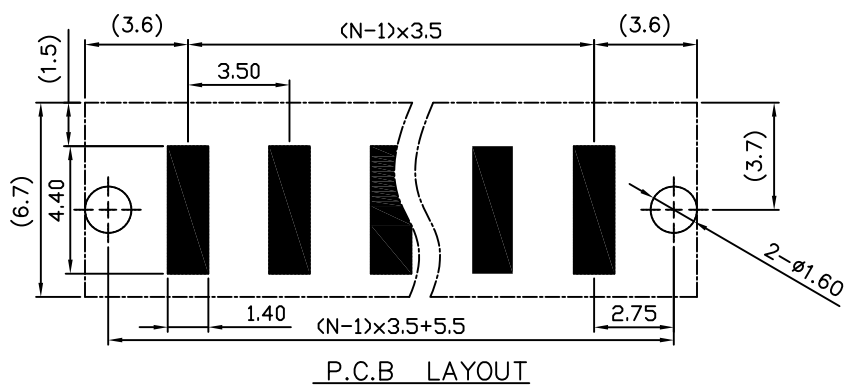


SECTION A-A

Part Number Configuration.

EB4510-XXDS-012

Number of Positions: 10  
Color: 0-Black  
With Polarizing pins  
Tape & Reel packaging



P.C.B LAYOUT

Max Number of Positions = 24

UNLESS OTHERWISE SPECIFIED BREAK ALL SHARP EDGES AND DEBURR ALL HOLES	TITLE: 3.50mm SPACING, WIRE GUARD
---	--------------------------------------

LIMITS: UNLESS OTHERWISE SPECIFIED ONE PLACE $\pm 0.3$ HUND. $\pm 0.2$ THOU. $\pm 0.05$	FRACT. $\pm 1/64$ ANGLE $\pm 1^\circ$	SCALE	THIS IS A CONFIDENTIAL DRAWING AND MUST BE TREATED AS SUCH. NO DISTRIBUTION IS ALLOWED WITHOUT WRITTEN APPROVAL BY EB45 ELECTRO INC.	Electro Inc. PLAINVIEW, NY 11803
--	--	-------	--	-------------------------------------

IMPORTANT DISCLAIMER: All information provided on this print is for reference. Always perform your own tests and acquire samples and further information to determine product suitability. While we make effort to provide accurate information, we cannot be responsible for errors either of omission or typographical. EB45 Electro, Inc. assumes no responsibility for the use or suitability of any product. All products and specifications are subject to change without prior written notice.

METRIC LIMITS	DRAWN: AJT	DATE: 10/29/13	SIZE: A	DRAWING NUMBER: EB4510-XXDS-012	REV. B
ONE PLACE $\pm 0.3$	CHECKED: _____	DATE: _____			
TWO PLACES $\pm 0.10$	APPROVED: _____	DATE: _____			
ANGLE $\pm 1^\circ$					