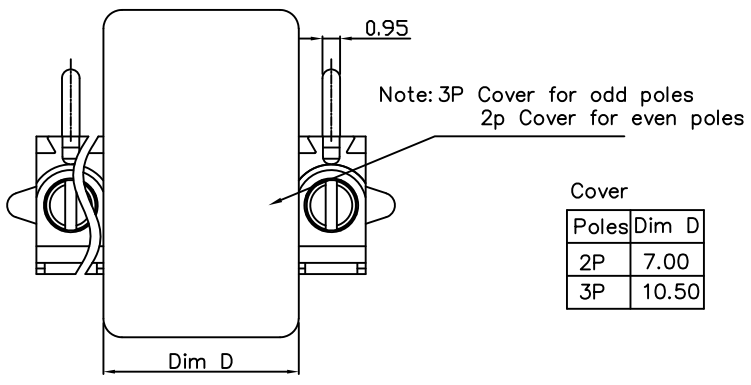


RoHS Compliant

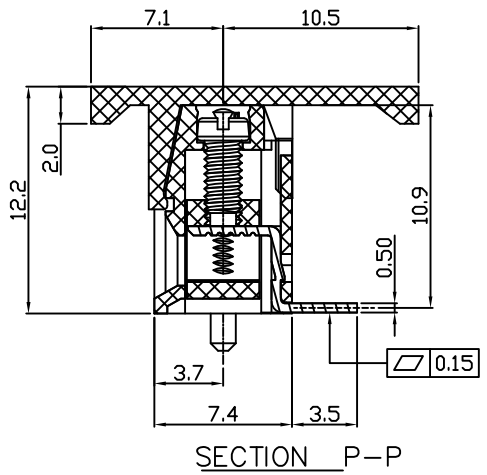
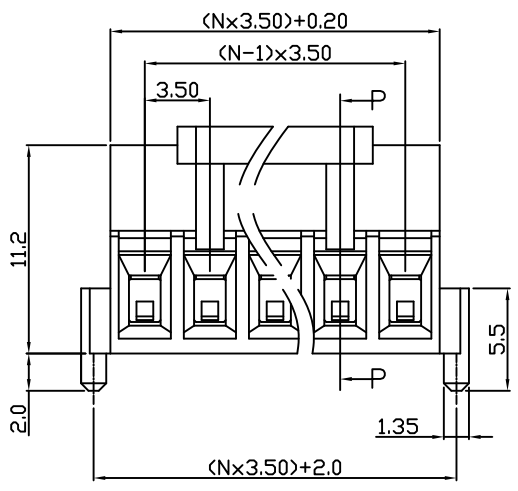
Rev.	ECO#	Date	By
A	1557-0124	01/08/24	MWP



Cover

Poles	Dim D
2P	7.00
3P	10.50

Material:	
Contact Block:	Brass, Ni Plated
Contact Solder Pin:	Brass, Tin Plated
Screw:	M2.0, Steel, Zinc Plated, "-" slotted
Insulating body & Pickup cover:	LCP, UL94V-0
Electrical	
Voltage Rating:	300 VAC
Current rating:	10 AMPS
Withstand Voltage:	1500 VAC, Test time 60 sec
Wire Range:	16-30 AWG
Mechanical	
Torque:	3.5 Lbs-in. Max
Operating Temperature:	-45°C to +130°C -49°F to +266°F
Soldering Temperature:	260°C, 500°F for 5 seconds max.

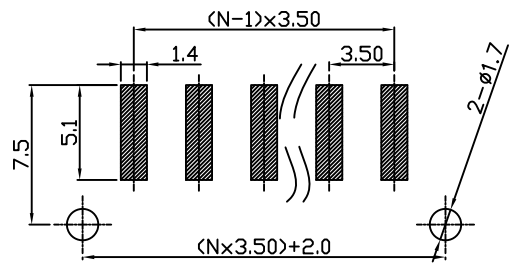


Part Number Configuration

EB4500-XX-X0X

- Number of Positions
- Color Option: 0-Black
- Packaging Option:
 - 0- Bulk, with polarizing pin -No Cover
 - 1-Bulk, without polarizing pin -No Cover
 - 2-Tape and Reel, with polarizing pin -With Cover
 - 3-Tape and Reel, without polarizing pin -With Cover

N=Number of Positions



P.C.B. Layout

UNLESS OTHERWISE SPECIFIED BREAK ALL SHARP EDGES AND DEBURR ALL HOLES

TITLE: 3.50mm SPACING, CAGE CLAMP BLOCK HIGH TEMP

LIMITS: UNLESS OTHERWISE SPECIFIED HUND. ±0.2 FRACT. ±1/64 THOU. ±0.05 ANGLE ±1°	SCALE	THIS IS A CONFIDENTIAL DRAWING AND MUST BE TREATED AS SUCH. NO DISTRIBUTION IS ALLOWED WITHOUT WRITTEN APPROVAL BY EBYS ELECTRO INC.	Electro Inc. PLAINVIEW, NY 11803
---	-------	--	-------------------------------------

IMPORTANT DISCLAIMER: All information provided on this print is for reference. Always perform your own tests and acquire samples and further information to determine product suitability. While we make effort to provide accurate information, we cannot be responsible for errors either of omission or typographical. EBYS Electro, Inc. assumes no responsibility for the use or suitability of any product. All products and specifications are subject to change without prior written notice.

METRIC LIMITS ONE PLACE ±0.3 TWO PLACES ±0.10 ANGLE ±1°	DRAWN AJT CHECKED _____ APPROVED _____	DATE 03/19/15 DATE _____ DATE _____	SIZE A	DRAWING NUMBER: EB4500-XX-X0X	REV. A
--	--	---	--------	----------------------------------	-----------