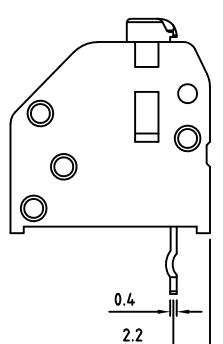
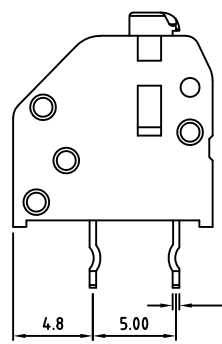
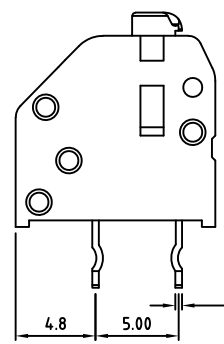
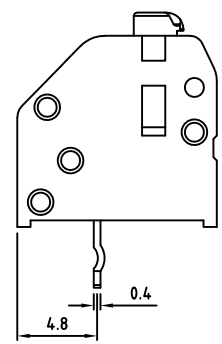
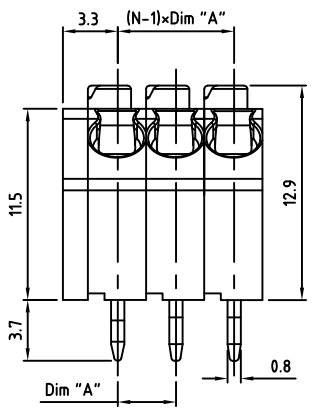


Material:	
Contact Solder Pin:	Brass, Tin Plated
Insulating Body:	Polyamide, UL94V-0
Electrical	
Voltage Rating:	300 VAC
Current rating:	6 Amps 2.50mm Pitch = 2 Amps
Withstand Voltage:	1500 VAC, Test time 60 sec
Wire Range:	16-22 AWG 2.50mm Pitch = 20-26 AWG
Mechanical	
Operating Temperature:	-40°C to +115°C -40°F to +239°F
Soldering Temperature:	260°C, 500°F for 5 seconds
Safety Approval:	UL US



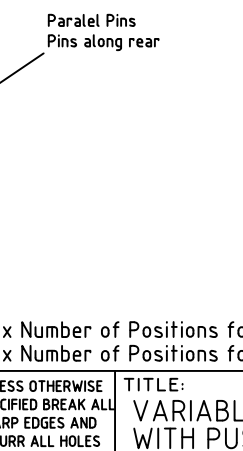
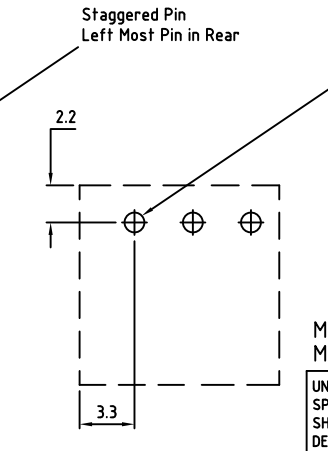
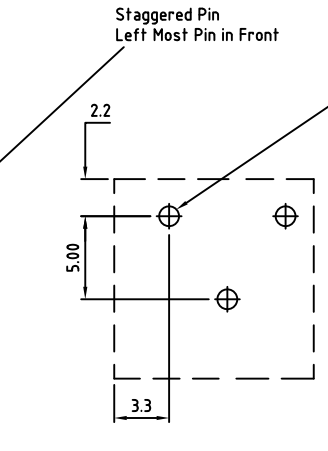
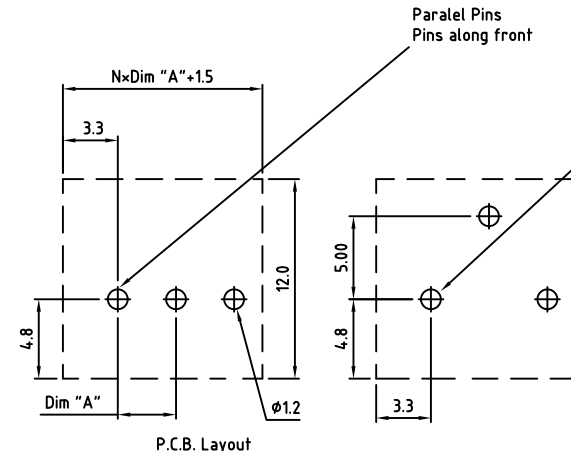
### Part Number Configuration

EB430-XX-XXX

Number of Positions	Color Options	Pin Alignment	Pitch Options (Dim "A")
0-Black	0-Black	0-Parallel	0-3.50mm
5-Green	5-Green	(Pins along front)	1-2.50mm
6-Blue	6-Blue	1-Staggered	2-7.00mm
8-Grey	8-Grey	(Left Most Pin in Front)	3-6.00mm
		2-Staggered	4-5.00mm
		(Left Most Pin in Rear)	
		3-Parallel	
		(Pins along rear)	

NOTE:  
1) Different Pitches are achieved through the use of 2.5mm & 3.5mm plastic spacers

See P/N Config. for Dim "A" Definition



Max Number of Positions for Pitches 2.50mm, 3.50mm, & 5.00mm = 24  
Max Number of Positions for Pitches 6.00mm & 7.00mm = 12

UNLESS OTHERWISE SPECIFIED BREAK ALL SHARP EDGES AND DEBURR ALL HOLES  
TITLE: VARIABLE SPACING, SCREWLESS BLOCK WITH PUSH BUTTON, & VARIABLE PIN ALIGNMENTS

LIMITS: UNLESS OTHERWISE SPECIFIED HUND. ±.02 THOU. ±.005	FRACT. ±1/64 ANGLE ±1°	SCALE: THIS IS A CONFIDENTIAL DRAWING AND MUST BE TREATED AS SUCH. NO DISTRIBUTION IS ALLOWED WITHOUT WRITTEN APPROVAL BY EB4 ELECTRO INC.	EB4 Electro Inc. PLAINVIEW, NY 11803
---	---------------------------	--	---

IMPORTANT DISCLAIMER: All information provided on this print is for reference. Always perform your own tests and acquire samples and further information to determine product suitability. While we make effort to provide accurate information, we cannot be responsible for errors either of omission or typographical. EB4 Electro, Inc. assumes no responsibility for the use or suitability of any product. All products and specifications are subject to change without prior written notice.

METRIC LIMITS ONE PLACE ±0.3 TWO PLACES ±0.10 ANGLE ±1°	DRAWN: JM CHECKED: MWP APPROVED: MWP	DATE: 04/20/11 DATE: 04/21/11 DATE: 04/21/11	SIZE: A	DRAWING NUMBER: EB430-XX-XXX	REV. F
--	--	--	---------	------------------------------	--------