

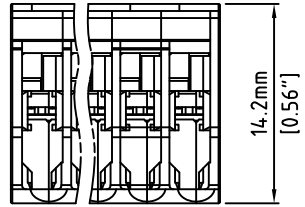
RoHS Compliant

Rev.

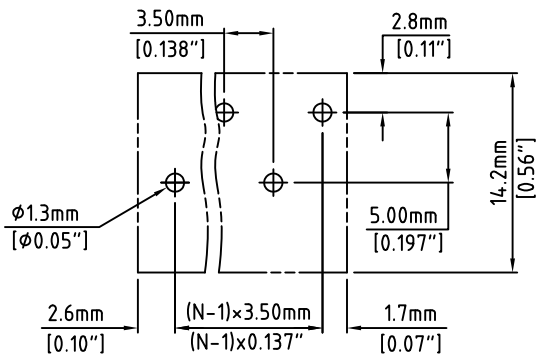
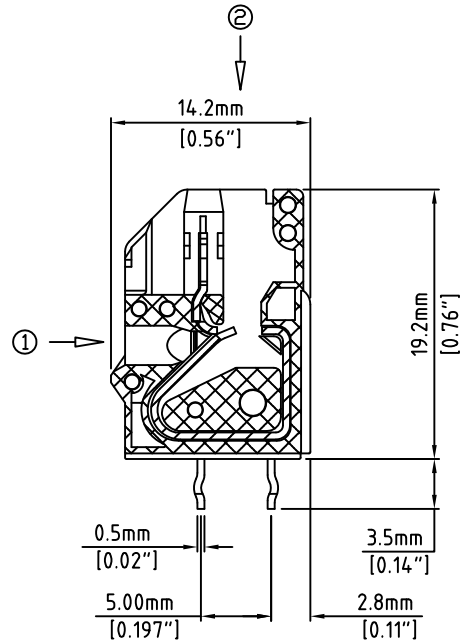
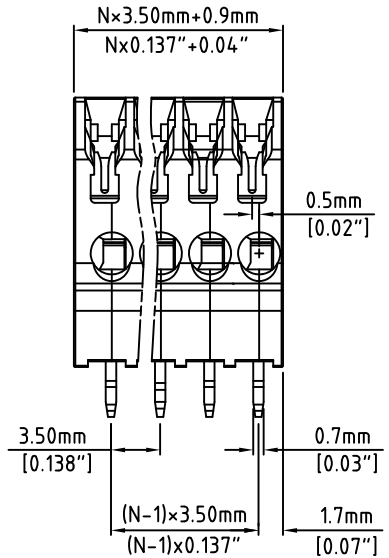
Description/Eco

Date

By



N=Number of Positions



PCB Layout

Material:	
Contact Solder Pin:	PhBz, Tin Plated
Insulating Body:	Polyamide, UL94V-0, Grey
Electrical	
Voltage Rating:	300 VAC
Current rating:	2 AMPS
Withstand Voltage:	1500 VAC, Test time 60 sec
① Wire Range:	20-26 AWG
② IDC Connection:	22 AWG
Mechanical	
Operating Temperature:	-40°C to +105°C -40°F to +221°F
Soldering Temperature:	260°C, 500°F for 5 seconds
Safety Approval:	CSA US

Part Number Configuration.

EB409-XX-800

Number of Positions: 8
Color: 8-Grey

(Other Color Options Available)
Please consult Factory

MAX NUMBER OF POSITIONS = 24

UNLESS OTHERWISE SPECIFIED BREAK ALL SHARP EDGES AND DEBURR ALL HOLES	TITLE:	3.50mm SPACING, SCREWLESS BLOCK	
	LIMITS: UNLESS OTHERWISE SPECIFIED HUND.±0.2 FRACT.±1/64 THOU.±0.05 ANGLE±1°	SCALE	THIS IS A CONFIDENTIAL DRAWING AND MUSTBE TREATED AS SUCH. NO DISTRIBUTION IS ALLOWED WITHOUT WRITTEN APPROVAL BY EBYS ELECTRO INC.
DRAWN JM		DATE 08/02/07	 PLAINVIEW, NY 11803
CHECKED _____		DATE _____	
APPROVED _____		DATE _____	DRAWING NUMBER: EB409-XX-800

IMPORTANT DISCLAIMER: All information provided on this print is for reference. Always perform your own tests and acquire samples and further information to determine product suitability. While we make effort to provide accurate information, we cannot be responsible for errors either of omission or typographical. EBYS Electro, Inc. assumes no responsibility for the use or suitability of any product. All products and specifications are subject to change without prior written notice.

METRIC LIMITS ONE PLACE ±0.3 TWO PLACES ±0.10 ANGLE ±1°	REV.	
--	------	--