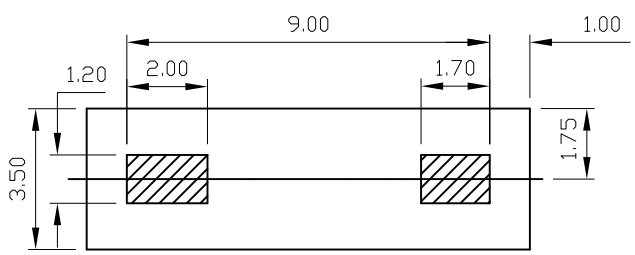


SECTION P-P

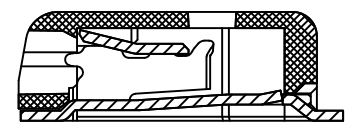
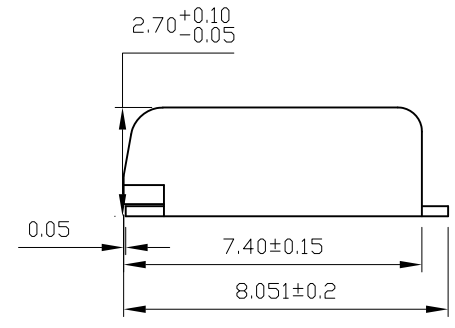
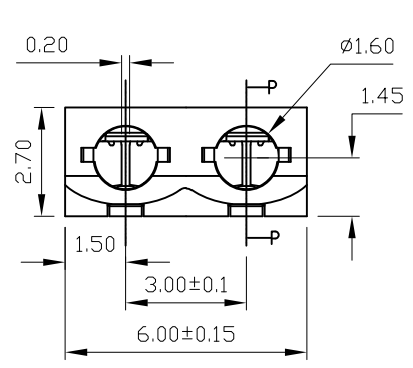


P.C.B. LAYOUT

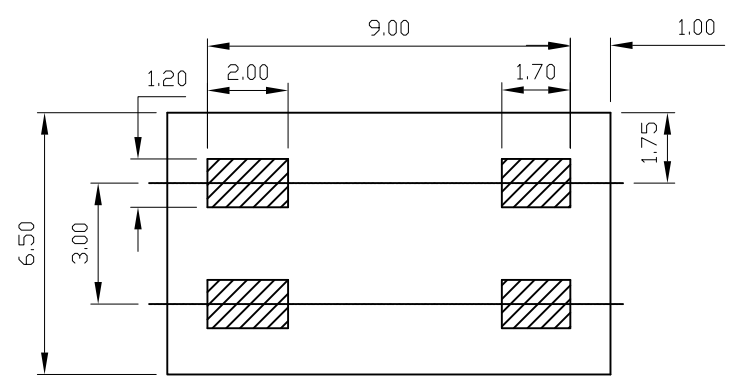
Material:	
Wire Retention Spring:	PhBz, Matte Tin over Ni Plating
Insulating Body:	LCP, UL94V-0, White
Electrical	
Voltage Rating:	150 VAC
Current rating:	3 Amp
Wire Range:	22-26 AWG, Solid
Wire Strip Length:	5-6mm
Withstand Voltage:	1.3KV
Mechanical	
Operating Temperature:	-40°C to +130°C -40°F to +266°F
Reflow Soldering temperature:	260°C/10 Sec max
Safety Approval:	

UNLESS OTHERWISE SPECIFIED BREAK ALL SHARP EDGES AND DEBURR ALL HOLES	TITLE: SMD, Low Profile, 3.0mm Spacing	
	LIMITS: UNLESS OTHERWISE SPECIFIED HUND.±0.2 FRACT.±1/64 THOU.±.005 ANGLE±1°	SCALE: THIS IS A CONFIDENTIAL DRAWING AND MUSTBE TREATED AS SUCH. NO DISTRIBUTION IS ALLOWED WITHOUT WRITTEN APPROVAL BY EBY ELECTRO INC.





SECTION P-P



P.C.B. LAYOUT

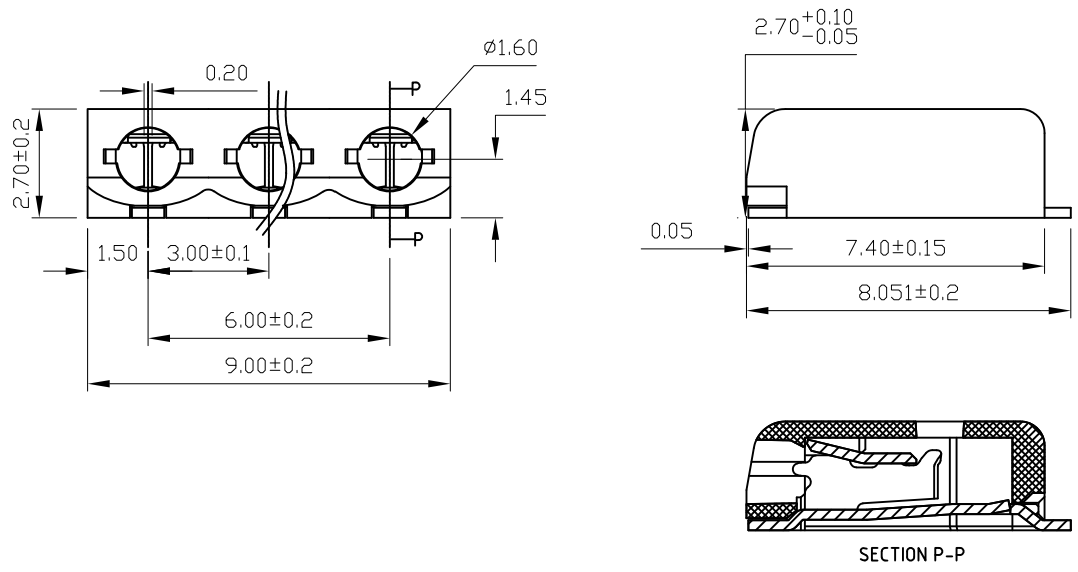
Material:	
Wire Retention Spring:	PhBz, Matte Tin over Ni Plating
Insulating Body:	LCP, UL94V-0, White
Electrical	
Voltage Rating:	150 VAC
Current rating:	3 Amp
Wire Range:	22-26 AWG, Solid
Wire Strip Length:	5-6mm
Withstand Voltage:	1.3KV
Mechanical	
Operating Temperature:	-40°C to +130°C -40°F to +266°F
Reflow Soldering temperature:	260°C/10 Sec max
Safety Approval:	

UNLESS OTHERWISE SPECIFIED BREAK ALL SHARP EDGES AND DEBURR ALL HOLES	TITLE:	SMD, Low Profile, 3.0mm Spacing	
	LIMITS: UNLESS OTHERWISE SPECIFIED HUND.±0.2 FRACT.±1/64 THOU.±0.05 ANGLE±1°	SCALE	THIS IS A CONFIDENTIAL DRAWING AND MUSTBE TREATED AS SUCH. NO DISTRIBUTION IS ALLOWED WITHOUT WRITTEN APPROVAL BY EBY ELECTRO INC.

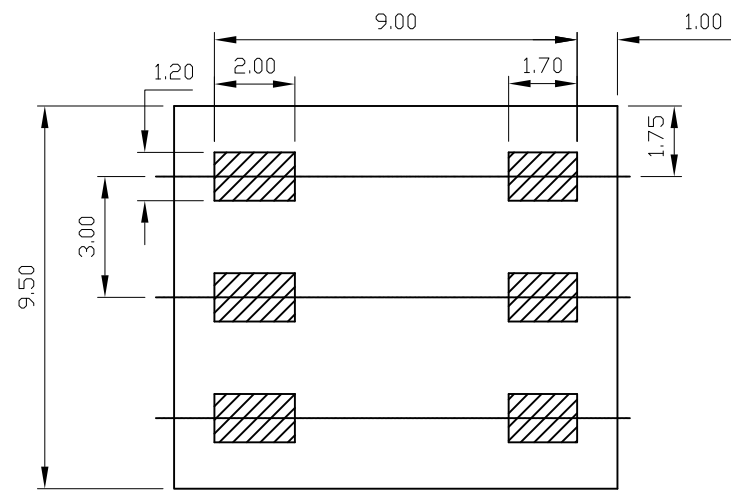


IMPORTANT DISCLAIMER: All information provided on this print is for reference. Always perform your own tests and acquire samples and further information to determine product suitability. While we make effort to provide accurate information, we cannot be responsible for errors either of omission or typographical. EBY Electro, Inc. assumes no responsibility for the use or suitability of any product. All products and specifications are subject to change without prior written notice.

METRIC LIMITS ONE PLACE ±0.3 TWO PLACES ±0.10 ANGLE ±1°	DRAWN <u> MWP </u> DATE <u>07/16/18</u>	SIZE <u> A </u>	DRAWING NUMBER: <u> EB3100-02-900 </u>	REV. <u> </u>
	CHECKED <u> </u> DATE <u> </u>			
	APPROVED <u> </u> DATE <u> </u>			



Material:	
Wire Retention Spring:	PhBz, Matte Tin over Ni Plating
Insulating Body:	LCP, UL94V-0, White
Electrical	
Voltage Rating:	150 VAC
Current rating:	3 Amp
Wire Range:	22-26 AWG, Solid
Wire Strip Length:	5-6mm
Withstand Voltage:	1.3KV
Mechanical	
Operating Temperature:	-40°C to +130°C -40°F to +266°F
Reflow Soldering temperature:	260°C/10 Sec max
Safety Approval:	



P.C.B. LAYOUT

UNLESS OTHERWISE SPECIFIED BREAK ALL SHARP EDGES AND DEBURR ALL HOLES	TITLE: SMD, Low Profile, 3.0mm Spacing	
	LIMITS: UNLESS OTHERWISE SPECIFIED HUND.±.02 FRACT.±1/64 THOU.±.005 ANGLE±1°	SCALE: THIS IS A CONFIDENTIAL DRAWING AND MUSTBE TREATED AS SUCH. NO DISTRIBUTION IS ALLOWED WITHOUT WRITTEN APPROVAL BY EBY ELECTRO INC.



IMPORTANT DISCLAIMER: All information provided on this print is for reference. Always perform your own tests and acquire samples and further information to determine product suitability. While we make effort to provide accurate information, we cannot be responsible for errors either of omission or typographical. EBY Electro, Inc. assumes no responsibility for the use or suitability of any product. All products and specifications are subject to change without prior written notice.

METRIC LIMITS ONE PLACE ±0.3 TWO PLACES ±0.10 ANGLE ± 1°	DRAWN <u> MWP </u> DATE <u>07/16/18</u>	SIZE <u> A </u>	DRAWING NUMBER: <u> EB3100-03-900 </u>	REV. <u> </u>
	CHECKED <u> </u> DATE <u> </u>			
	APPROVED <u> </u> DATE <u> </u>			