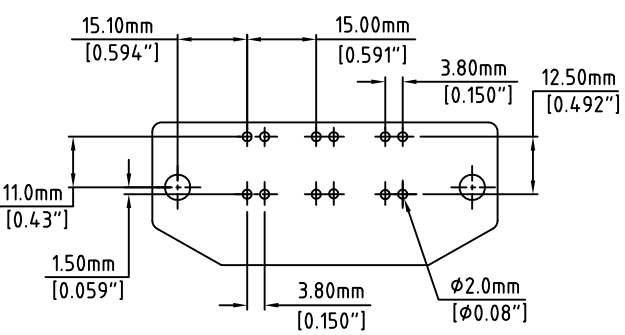
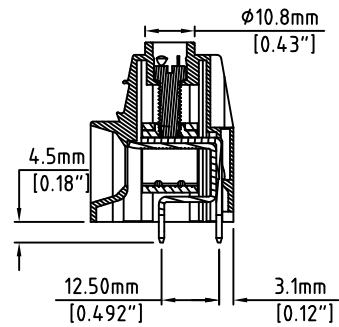
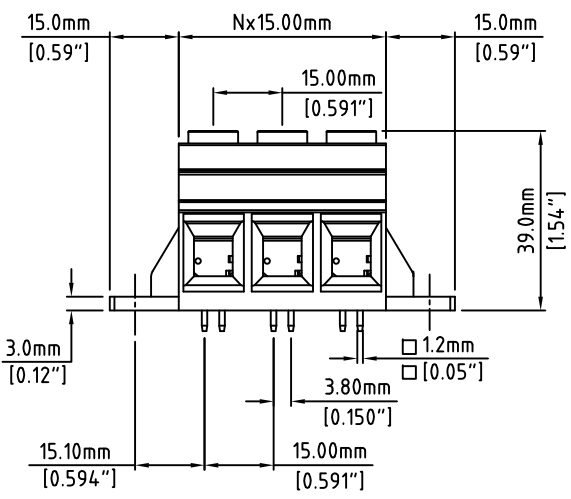


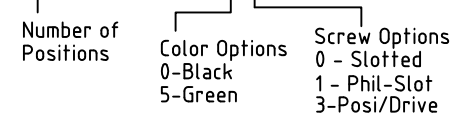
Material:	
Contact Block:	Steel Stamped, Zinc Plated
Solder Pin:	Copper, Tin Plated
Screw:	M5.0, Steel, Zinc Plated, "-" slotted
Insulating Body:	Polyamide, UL94V-0
Electrical	
Voltage Rating:	600 VAC
Current rating:	125 AMPS
Withstand Voltage:	1500 VAC, Test time 60 sec
Wire Range:	2-20 AWG
Mechanical	
Torque:	36.5 Lbs-in. Max
Operating Temperature:	-40°C to +115°C -40°F to +239°F
Soldering Temperature:	260°C, 500°F for 5 seconds
Safety Approval:	UL US



N=Number of Positions

Part Number Configuration.

EB2015MF-XX-XX0



(Other Color Options Available)
(Please consult Factory)

Max Number of Positions = 10

UNLESS OTHERWISE SPECIFIED BREAK ALL SHARP EDGES AND DEBURR ALL HOLES	TITLE: 15.00mm SPACING, CAGE CLAMP BLOCK
---	---

LIMITS: UNLESS OTHERWISE SPECIFIED HUND.±.02 FRACT.±1/64 THOU.±.005 ANGLE±1°	SCALE	THIS IS A CONFIDENTIAL DRAWING AND MUSTBE TREATED AS SUCH. NO DISTRIBUTION IS ALLOWED WITHOUT WRITTEN APPROVAL BY EBYS ELECTRO INC.	Electro Inc. PLAINVIEW, NY 11803
--	-------	---	-------------------------------------