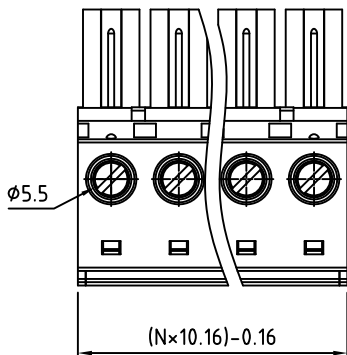
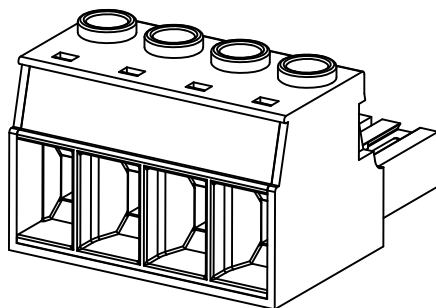
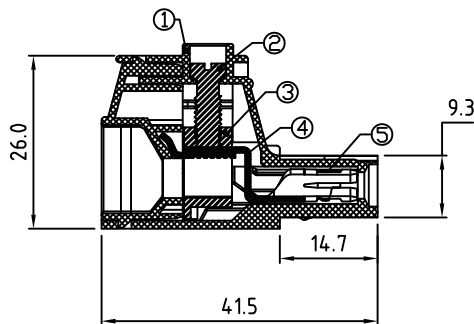
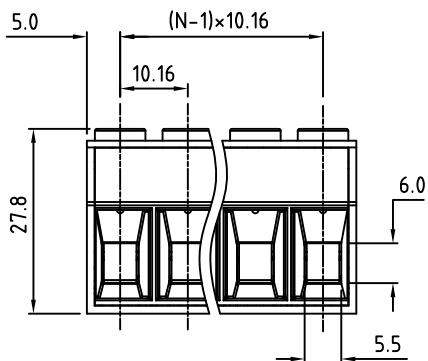


RoHS Compliant

Rev.	ECO#	Date	By
D	0238-1112	11/07/12	MWP



N=Number of Positions



Material:

③ Contact Block:	Brass, Ni Plated
④ Contact Clip:	Brass, Tin Plated
② Screw:	M4.5, Steel, Zinc Plated, "-" slotted
⑤ Retainer Ring:	Stainless Steel
① Insulating Body:	Polyamide, UL94V-0

Electrical

Voltage Rating:	600 VAC
Current rating:	55 AMPS
Withstand Voltage:	2200 VAC, Test time 60 sec
Wire Range:	6-20 AWG

Mechanical

Torque:	10..4lbs-in. Max
Operating Temperature:	-40°C to +115°C -40°F to +239°F
Safety Approval:	US

Part Number Configuration.

EB1860-XX-000

Number of Positions: X  
Color: 0-Black

(Other Color Options Available)  
Please consult Factory

Max Number of Positions = 8

UNLESS OTHERWISE SPECIFIED BREAK ALL SHARP EDGES AND DEBURR ALL HOLES	TITLE:	10.16mm SPACING, PLUGGABLE BLOCK	
	LIMITS: UNLESS OTHERWISE SPECIFIED HUND.±.02 FRACT.±1/64 THOU.±.005 ANGLE±1°	SCALE	THIS IS A CONFIDENTIAL DRAWING AND MUSTBE TREATED AS SUCH. NO DISTRIBUTION IS ALLOWED WITHOUT WRITTEN APPROVAL BY EB1860 INC.
DRAWN <u>  JM  </u> DATE <u>  01/22/08  </u> CHECKED <u>          </u> DATE <u>          </u> APPROVED <u>          </u> DATE <u>          </u>		SIZE	DRAWING NUMBER:
		A	EB1860-XX-000



IMPORTANT DISCLAIMER: All information provided on this print is for reference. Always perform your own tests and acquire samples and further information to determine product suitability. While we make effort to provide accurate information, we cannot be responsible for errors either of omission or typographical. EB1860 Electro, Inc. assumes no responsibility for the use or suitability of any product. All products and specifications are subject to change without prior written notice.

METRIC LIMITS ONE PLACE ±0.3 TWO PLACES ±0.10 ANGLE ± 1°	REV.	D
---	------	---