

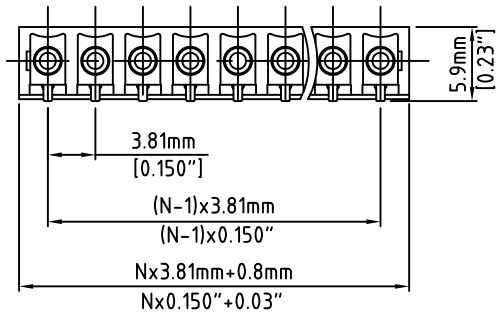
RoHS Compliant

Rev.

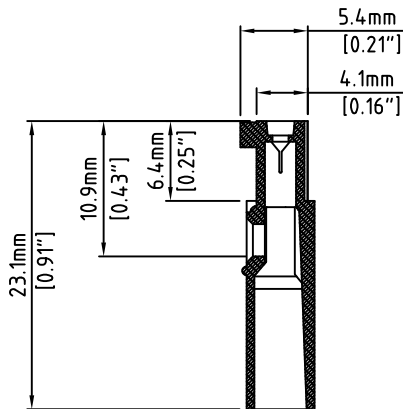
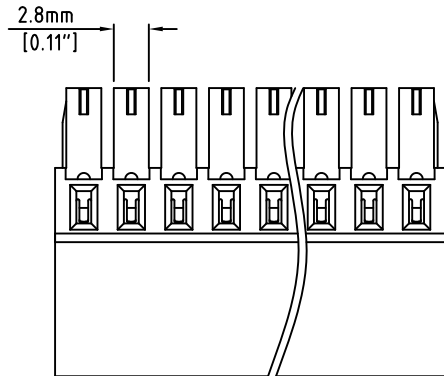
Description/Eco

Date

By



N=Number of Positions



Material:	
Contact Solder Pin:	Brass, Tin Plated
Insulating Body:	Polyamide, UL94V-0, Green
Electrical	
Voltage Rating:	150 VAC
Current rating:	8 AMPS
Withstand Voltage:	1500 VAC, Test time 60 seconds
Mechanical	
Operating Temperature:	-40°C to +105°C -40°F to +221°F
Safety Approval:	UL US

Part Number Configuration.

EB1343-XX-500

Number of Positions: 5
Color: Green

(Other Color Options Available)
Please consult Factory

Max Number of Positions = 24

UNLESS OTHERWISE SPECIFIED BREAK ALL SHARP EDGES AND DEBURR ALL HOLES
 TITLE: 3.81mm SPACING SCREWLESS PLUGGABLE BLOCK

LIMITS: UNLESS OTHERWISE SPECIFIED
 HUND.±.02 FRACT.±1/64 THOU.±.005 ANGLE±1°
 SCALE THIS IS A CONFIDENTIAL DRAWING AND MUSTBE TREATED AS SUCH. NO DISTRIBUTION IS ALLOWED WITHOUT WRITTEN APPROVAL BY EBYS ELECTRO INC.
EBY Electro Inc.
 PLAINVIEW, NY 11803

IMPORTANT DISCLAIMER: All information provided on this print is for reference. Always perform your own tests and acquire samples and further information to determine product suitability. While we make effort to provide accurate information, we cannot be responsible for errors either of omission or typographical. EBY Electro, Inc. assumes no responsibility for the use or suitability of any product. All products and specifications are subject to change without prior written notice.

METRIC LIMITS
 ONE PLACE ±0.3
 TWO PLACES ±0.10
 ANGLE ± 1°
 DRAWN JM DATE 01/13/09
 CHECKED DATE
 APPROVED DATE
 SIZE A
 DRAWING NUMBER: EB1343-XX-500
 REV.