

EUROPA SERIES 1500

13.5mm SPACING

TECHNICAL DATA

MECHANICAL

Torque:

10.5 lbs-in. Max.

Operating temperature:

-35°C to +100°C

-31°F to +212°F

MATERIAL

Contact Block:

Brass, Tin Plated

Wire Guard:

Stainless Steel

Screw:

M4 x 9.0mm, Steel, Zinc Plated

Insulator body:

Polyamide, UL 94V-2, Natural

ELECTRICAL

Voltage rating:

UL: 300VAC, CSA: 300VAC

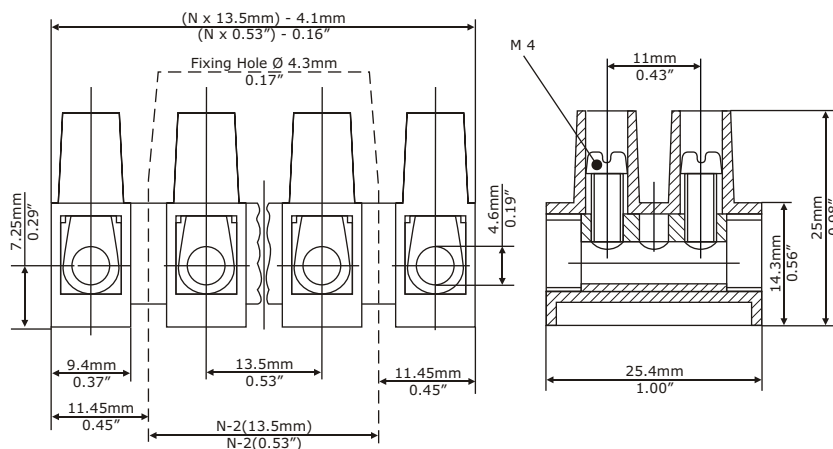
Current rating:

UL: 40 Amps, CSA: 55 Amps

Wire range:

8-18AWG

DIMENSIONAL REFERENCE



Safety Approval:



RoHS*COMPLIANT

PART NUMBERING

Part Number / Ordering Information

1500-XXDS

NUMBER OF
POSITIONS
12 Maximum

DS = Standard wireguard.
Omit DS if no wireguard is required.

N = Number of contacts