

EUROPA SERIES 1000

12.0mm SPACING

TECHNICAL DATA

MECHANICAL

Torque:

7.0 lbs-in. Max.

Operating temperature:

-35°C to +100°C

-31°F to +212°F

MATERIAL

Contact Block:

Brass, Tin Plated

Wire Guard:

Stainless Steel

Screw:

M3 x 7.0mm, Steel, Zinc Plated

Insulator body:

Polyamide, UL 94V-2, Natural

ELECTRICAL

Voltage rating:

UL: 250VAC, CSA: 300VAC

***with raised base: 600/600**

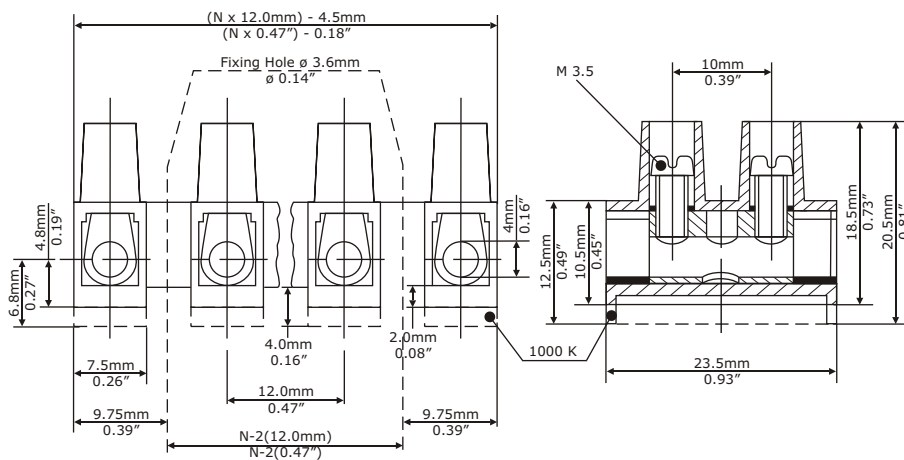
Current rating:

UL: 40 Amps, CSA: 25 Amps

Wire range:

10-22AWG

DIMENSIONAL REFERENCE



SHOWN WITH "K" OPTION (RAISED BASE)

N = Number of contacts



Safety Approval:



PART NUMBERING

Part Number / Ordering Information

1000-XXDS

NUMBER OF
POSITIONS
12 Maximum

DS = Standard wireguard.
Omit DS if no wireguard is required.

FOR RAISED BASE ORDER 1000K-XXDS