

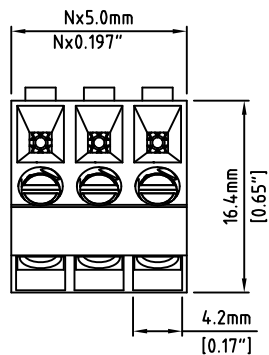
RoHS Compliant

Rev.

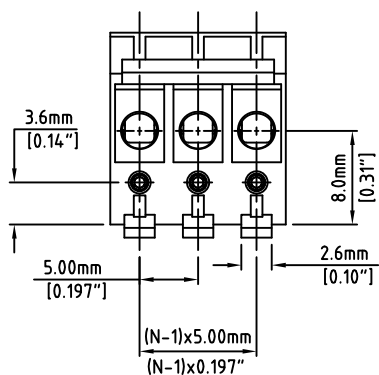
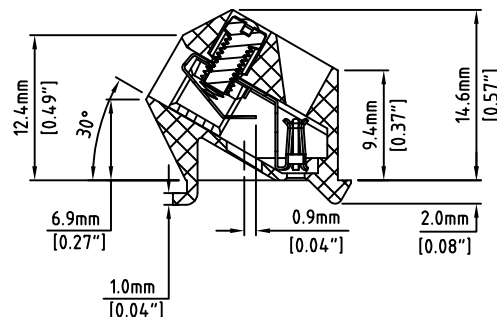
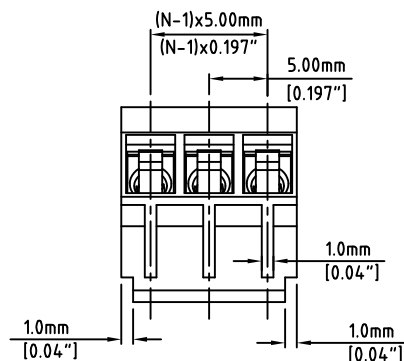
Description/Eco

Date

By



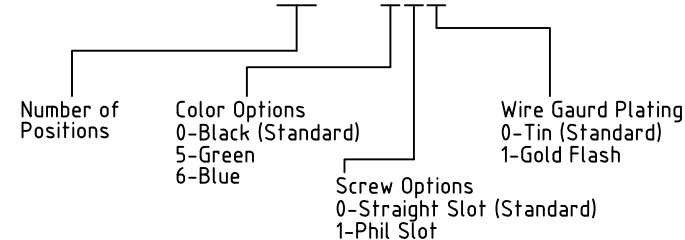
N=Number of Positions



Material:	
Contact Block:	Brass, Nickel Plated
Wire Guard:	PhBz, See P/N Config for Plating
Screw:	M2.5, Steel, Zinc Plated
Insulating Body:	Polyamide, UL94V-0
Electrical	
Voltage Rating:	300 VAC
Current rating:	10 AMPS
Withstand Voltage:	2500 VAC, Test time 60 sec
Wire Range:	14-26 AWG
Mechanical	
Torque:	3.5 lbs-in. Max
Operating Temperature:	-30°C to +120°C -22°F to +248°F
Safety Approval:	US

Part Number Configuration.

EB551-XXDS-XXX



MAX NUMBER OF POSITIONS = 24

UNLESS OTHERWISE SPECIFIED BREAK ALL SHARP EDGES AND DEBURR ALL HOLES	TITLE:
	5.00mm SPACING, ANGLED PLUGGABLE BLOCK

LIMITS: UNLESS OTHERWISE SPECIFIED HUND.±02 FRACT.±1/64 THOU.±005 ANGLE±1°	SCALE	THIS IS A CONFIDENTIAL DRAWING AND MUSTBE TREATED AS SUCH. NO DISTRIBUTION IS ALLOWED WITHOUT WRITTEN APPROVAL BY EBY ELECTRO INC.	EBY Electro Inc. PLAINVIEW, NY 11803
---	-------	--	---

IMPORTANT DISCLAIMER: All information provided on this print is for reference. Always perform your own tests and acquire samples and further information to determine product suitability. While we make effort to provide accurate information, we cannot be responsible for errors either of omission or typographical. EBY Electro, Inc. assumes no responsibility for the use or suitability of any product. All products and specifications are subject to change without prior written notice.

METRIC LIMITS ONE PLACE ±0.3 TWO PLACES ±0.10 ANGLE ±1°	DRAWN <u>JM</u> CHECKED _____ APPROVED _____	DATE <u>06/10/03</u> DATE _____ DATE _____	SIZE A	DRAWING NUMBER: EB551-XXDS-XXX	REV.
--	--	--	------------------	--	------