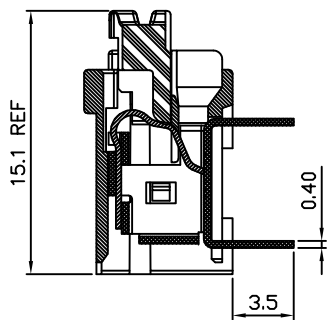
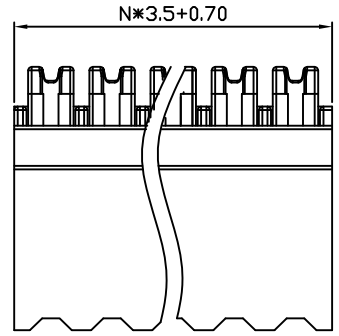
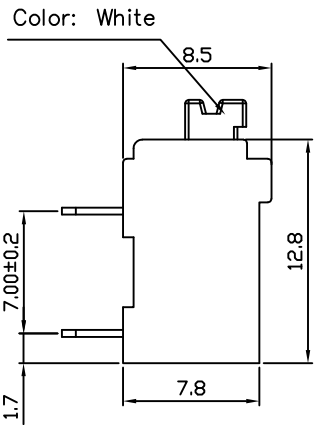
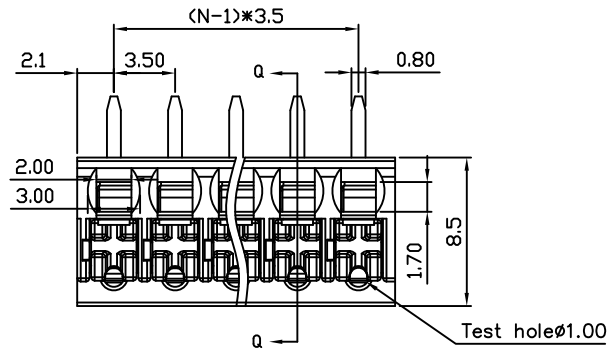


RoHS Compliant

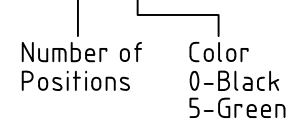
Rev.	ECO#	Date	By
B	1564-0424	04/10/24	MWP



Material:	
Contact Block:	Brass, Tin Plated
Wire Guard:	Stainless Steel
Insulating Body:	Polyamide, UL94V-0
Electrical	
Voltage Rating:	300 VAC
Current rating:	7 AMPS
Withstand Voltage:	1500 VAC, Test time 60 sec
Wire Range:	18-24 AWG
Mechanical	
Operating Temperature:	-45°C to +135°C -49°F to +275°F
Soldering Temperature:	280°C, 536°F for 10 seconds
Safety Approval:	UL US

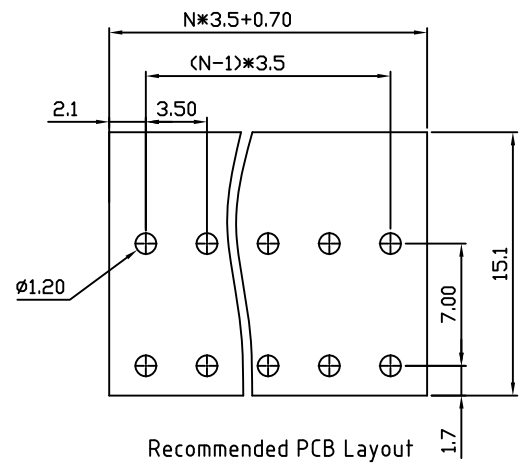
Part Number Configuration.

EB538-XX-X00



(Other Color Options Available)
(Please consult Factory)

N=Number of Positions



Max Number of Positions = 24 All Dimensions in Millimeters

TITLE: 3.50mm SPACING, SCREWLESS BLOCK
HORIZONTAL, DUAL SOLDER PIN

METRIC LIMITS ONE PLACE ±0.3 TWO PLACES ±0.10 ANGLE ± 1°	SCALE	THIS IS A CONFIDENTIAL DRAWING AND MUSTBE TREATED AS SUCH. NO DISTRIBUTION IS ALLOWED WITHOUT WRITTEN APPROVAL BY EB5 ELECTRO INC.	Amphenol EB5 Electro Inc. PLAINVIEW, NY 11803
---	-------	---	---

IMPORTANT DISCLAIMER: All information provided on this print is for reference. Always perform your own tests and acquire samples and further information to determine product suitability. While we make effort to provide accurate information, we cannot be responsible for errors either of omission or typographical. EB5 Electro, Inc. assumes no responsibility for the use or suitability of any product. All products and specifications are subject to change without prior written notice.

DRAWN AJT	DATE 12/17/13	SIZE A	DRAWING NUMBER: EB538-XX-X00	REV. B
CHECKED	DATE			
APPROVED	DATE			