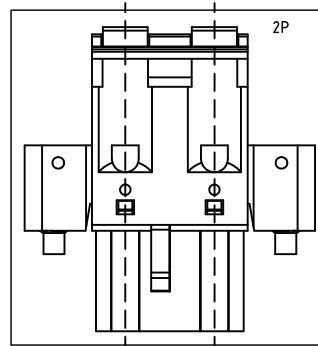
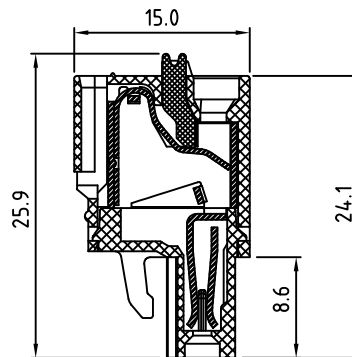
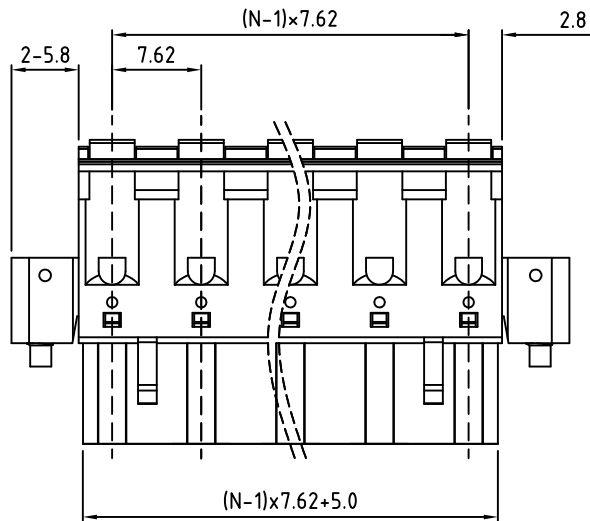


N=Number of Positions



Material:	
Contact:	PhBz (CuSn), Tin Plated
Wire Retention Spring:	Stainless Steel
Insulating Body:	Polyamide, UL94 V-0
Terminal Lever:	Polyamide, UL94 V-0, Orange
Mount Flange Screw:	Steel, Zinc Plated M2.5 "+/-" slot type
Electrical	
Voltage Rating:	300 VAC
Current rating:	10 AMPS
Withstand Voltage:	1500 VAC, Test time 60 sec
Wire Range:	12-26 AWG
Mechanical	
Operating Temperature:	-40°C to +115°C -40°F to +239°F
Soldering Temperature:	260°C, 500°F for 5 seconds
Safety Approval:	UL US



SECTION P-P

Part Number Configuration.


EB462AM-XX-X00

- Number of Positions
- Color Options:
  - 0-Black
  - 2-Red
  - 3-Orange
  - 4-Yellow
  - 5-Green
  - 6-Blue
  - 8-Gray

Max Number of Positions = 16

UNLESS OTHERWISE SPECIFIED BREAK ALL SHARP EDGES AND DEBURR ALL HOLES

TITLE: 7.62mm SPACING, SCREWLESS PLUGGABLE BLOCK

LIMITS: UNLESS OTHERWISE SPECIFIED HUND.±.02 FRACT.±1/64 THOU.±.005 ANGLE±1°	SCALE	THIS IS A CONFIDENTIAL DRAWING AND MUSTBE TREATED AS SUCH. NO DISTRIBUTION IS ALLOWED WITHOUT WRITTEN APPROVAL BY EB4 ELECTRO INC.	 PLAINVIEW, NY 11803
---	-------	--	--

IMPORTANT DISCLAIMER: All information provided on this print is for reference. Always perform your own tests and acquire samples and further information to determine product suitability. While we make effort to provide accurate information, we cannot be responsible for errors either of omission or typographical. EB4 Electro, Inc. assumes no responsibility for the use or suitability of any product. All products and specifications are subject to change without prior written notice.

METRIC LIMITS ONE PLACE ±0.3 TWO PLACES ±0.10 ANGLE ± 1°	DRAWN <u>AJT</u>	DATE <u>08/16/16</u>	SIZE <u>A</u>	DRAWING NUMBER: <u>EB462AM-XX-X00</u>	REV.
	CHECKED _____	DATE _____			
	APPROVED _____	DATE _____			