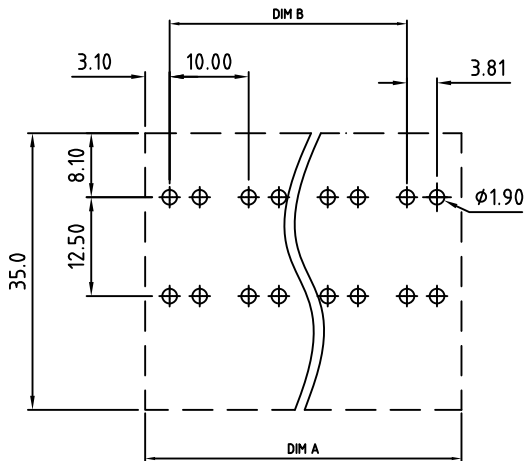
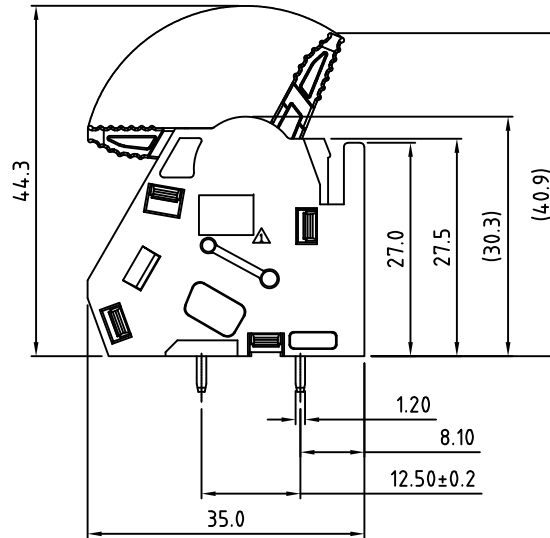
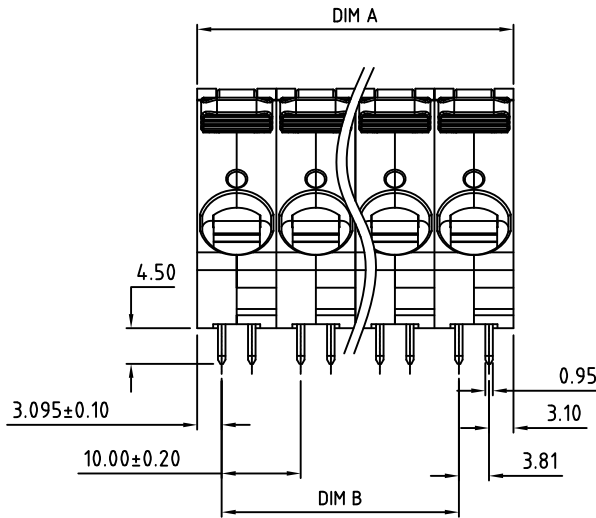
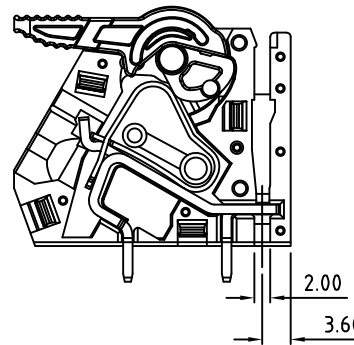


N=NUMBER OF CONTACTS

DIM	TOL	TOL				
		1P	2P	3P--4P	5P--8P	9P--12P
Dim A	N*10.0	±0.20	±0.40	±0.40	±0.50	±0.60
Dim B	(N-1)*10.0	/	±0.20	±0.40	±0.50	±0.60

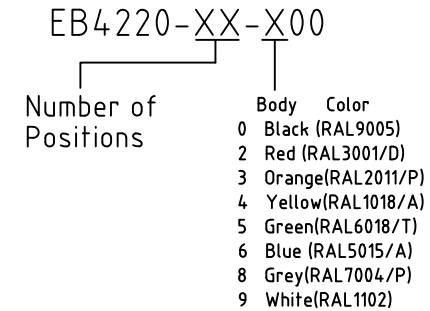


PCB Layout



Material:	
Contact:	Copper, Matte Tin over Ni Plating
Wire Retention Spring:	Stainless Steel
Lever:	Thermoplastic, UL94V-0, White, RAL9003
Insulating Body:	Thermoplastic, UL94V-0
Electrical	
Voltage Rating:	300 VAC
Current rating:	55 AMPS
Withstand Voltage:	1600 VAC, Test time 60 sec
Wire Range:	6-16 AWG
Mechanical	
Wire Strip Length:	12-13mm
Operating Temperature:	-40°C to +115°C -40°F to +239°F
Soldering Temperature:	260°C, 500°F for 5 seconds
Safety Approval:	CE, A, US

Part Number Configuration.



UNLESS OTHERWISE SPECIFIED BREAK ALL SHARP EDGES AND DEBURR ALL HOLES

TITLE: 10.00mm Spacing, Modular, With Jumper Slot

LIMITS: UNLESS OTHERWISE SPECIFIED
HUND.±.02 FRACT.±1/64
THOU.±.005 ANGLE±1°

SCALE THIS IS A CONFIDENTIAL DRAWING AND MUSTBE TREATED AS SUCH. NO DISTRIBUTION IS ALLOWED WITHOUT WRITTEN APPROVAL BY EB4 ELECTRO INC.



IMPORTANT DISCLAIMER: All information provided on this print is for reference. Always perform your own tests and acquire samples and further information to determine product suitability. While we make effort to provide accurate information, we cannot be responsible for errors either of omission or typographical. EB4 Electro, Inc. assumes no responsibility for the use or suitability of any product. All products and specifications are subject to change without prior written notice.

METRIC LIMITS
ONE PLACE ±0.3
TWO PLACES ±0.10
ANGLE ±1°

DRAWN MWP DATE 08/29/18
CHECKED DATE
APPROVED DATE

SIZE A

DRAWING NUMBER: EB4220-XX-X00

REV.