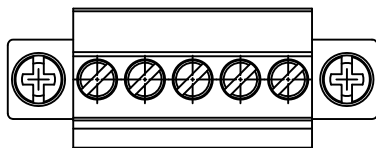
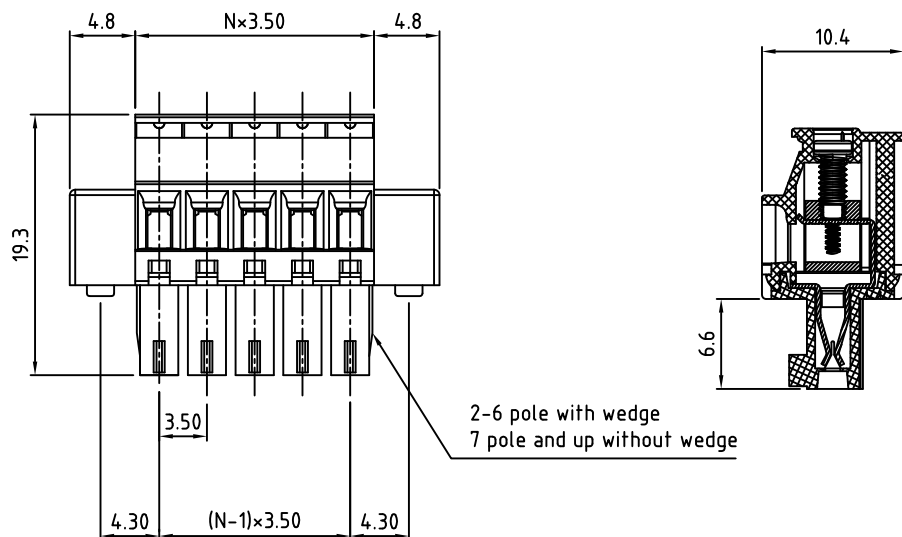


RoHS Compliant

| | | | |
|------|-----------|----------|-----|
| Rev. | ECO# | Date | By |
| F | 0518-0513 | 05/03/13 | AJT |



N=Number of Positions



| Material: | |
|------------------------|-------------------------------------|
| Contact Block: | Brass, 160-240µ" Nickel Plated |
| Contact Clip: | PhBz, Tin Plated |
| Screw: | M2, Steel, Zinc Plated, "-" slotted |
| Flange Screw: | M2.5, Steel, Zinc Plated, phil-slot |
| Insulating Body: | Thermoplastic, UL94V-0 |
| Electrical | |
| Voltage Rating: | 300 VAC |
| Current rating: | 8 AMPS |
| Withstand Voltage: | 1500 VAC, Test time 60 sec |
| Wire Range: | 16-28 AWG |
| Mechanical | |
| Torque: | 1.7 lbs-in. |
| Operating Temperature: | -40°C to +105°C -40°F to +221°F |
| Safety Approval: | UL US |

Part Number Configuration.

EB1350AM-XX-600

Number of Positions: 6
Color: Blue

(Other Color Options Available)
Please consult Factory

Max Number of Positions = 24

UNLESS OTHERWISE SPECIFIED BREAK ALL SHARP EDGES AND DEBURR ALL HOLES

TITLE: 3.50mm SPACING, PLUGGABLE BLOCK INSERTION KEY ON ENTRY SIDE, MOUNTABLE

LIMITS: UNLESS OTHERWISE SPECIFIED
HUND. ±0.02 FRACT. ±1/64
THOU. ±0.005 ANGLE ±1°

SCALE THIS IS A CONFIDENTIAL DRAWING AND MUST BE TREATED AS SUCH. NO DISTRIBUTION IS ALLOWED WITHOUT WRITTEN APPROVAL BY EB ELECTRO INC.



IMPORTANT DISCLAIMER: All information provided on this print is for reference. Always perform your own tests and acquire samples and further information to determine product suitability. While we make effort to provide accurate information, we cannot be responsible for errors either of omission or typographical. EB Electro, Inc. assumes no responsibility for the use or suitability of any product. All products and specifications are subject to change without prior written notice.

METRIC LIMITS
ONE PLACE ±0.3
TWO PLACES ±0.10
ANGLE ±1°

DRAWN MWP DATE 10/11/02
CHECKED DATE
APPROVED DATE

SIZE A

DRAWING NUMBER: EB1350AM-XX-600

REV. F