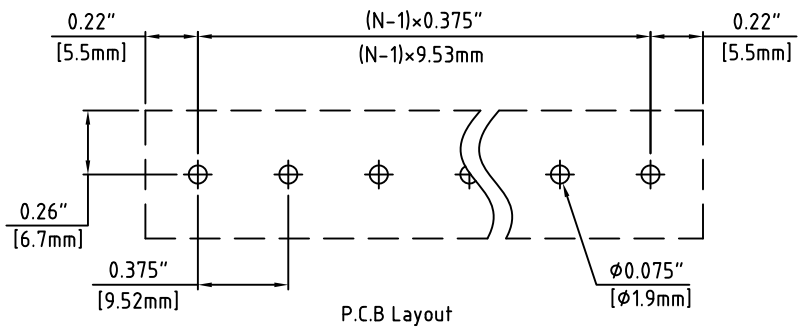
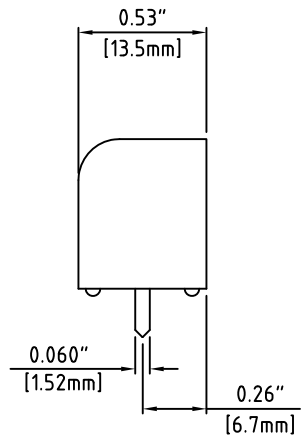
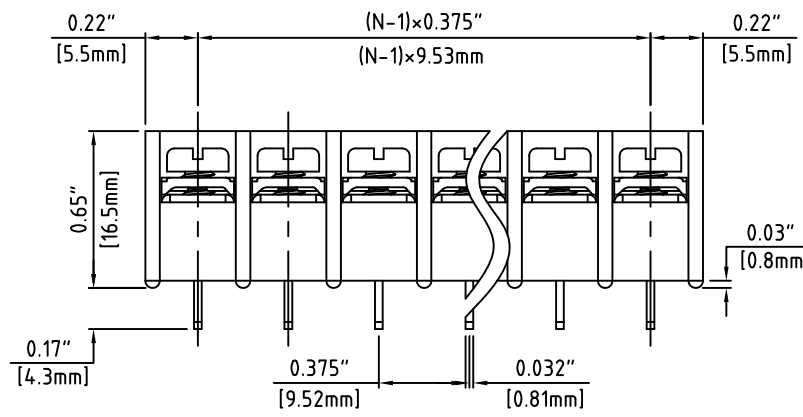
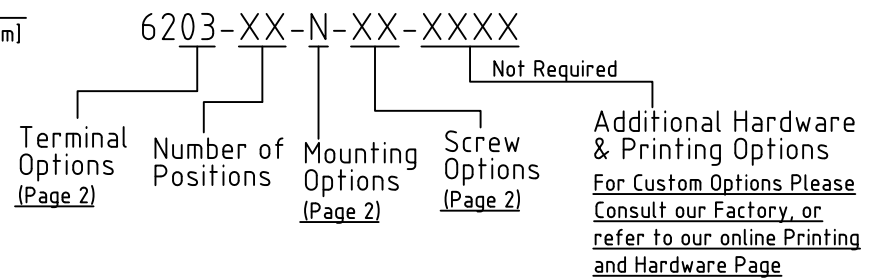


N = Number of Positions



Material:	
Contact Solder Pin:	Brass, Tin Plated
Insulating Body:	Polycarbonate, UL94V-0, Black
Terminal Screw:	#6-32, Combo Head
Electrical	
Voltage Rating:	300 VAC
Current rating:	20 AMPS
Wire Range:	12-24 AWG
Withstand Voltage:	1500 VAC, Test time 60 seconds
Mechanical	
Torque:	10.0 lbs-in. Max.
Operating Temperature:	-40°C to +105°C -40°F to +221°F
Soldering Temperature:	260°C, 500°F for 5 seconds max.
Safety Approval:	C US

Part Number Configuration.



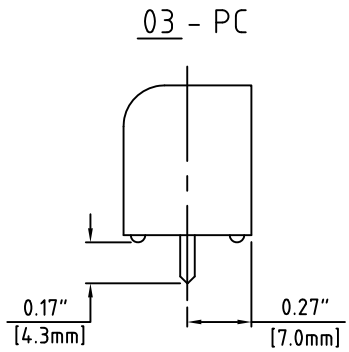
Max Number of Positions = 16

UNLESS OTHERWISE SPECIFIED BREAK ALL SHARP EDGES AND DEBURR ALL HOLES	TITLE: 0.375" SPACING, BARRIER BLOCK
---	--------------------------------------

LIMITS: UNLESS OTHERWISE SPECIFIED HUND. ± 0.2 THOU. ± 0.05	FRACT. ± 1/64 ANGLE ± 1°	SCALE	THIS IS A CONFIDENTIAL DRAWING AND MUST BE TREATED AS SUCH. NO DISTRIBUTION IS ALLOWED WITHOUT WRITTEN APPROVAL BY EBY ELECTRO INC.	EBY Electro Inc. PLAINVIEW, NY 11803
---	-----------------------------	-------	---	---

Rev.	Description/Eco	Date	By

Terminal Options

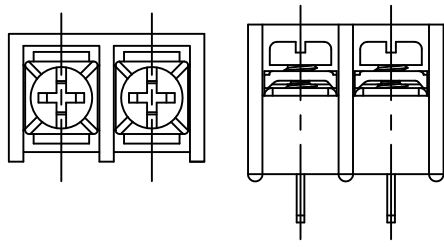


Available Screw Options

- 00 - No Screws
- 01 - Steel, Zinc Plated,
- 02 - Steel, Zinc plated, w/ Washer
- 12 - Steel, Zinc Plated, Captive, w/ Washer
- 22 - Steel, Zinc Plated, Captive, Wire Ready, w/ Washer

Mounting Options

N - No Mounting Ends



UNLESS OTHERWISE SPECIFIED BREAK ALL SHARP EDGES AND DEBURR ALL HOLES

TITLE: Part Number Configuration for 6200 Series

LIMITS: UNLESS OTHERWISE SPECIFIED
 HUND. ± 0.2 FRACT. ± 1/64
 THOU. ± 0.005 ANGLE ± 1°

SCALE: THIS IS A CONFIDENTIAL DRAWING AND MUST BE TREATED AS SUCH. NO DISTRIBUTION IS ALLOWED WITHOUT WRITTEN APPROVAL BY EB Y ELECTRO INC.



IMPORTANT DISCLAIMER: All information provided on this print is for reference. Always perform your own tests and acquire samples and further information to determine product suitability. While we make effort to provide accurate information, we cannot be responsible for errors either of omission or typographical. EB Y Electro, Inc. assumes no responsibility for the use or suitability of any product. All products and specifications are subject to change without prior written notice.

METRIC LIMITS ONE PLACE ± 0.3 TWO PLACES ± 0.10 ANGLE ± 1°	DRAWN JM CHECKED _____ APPROVED _____	DATE 07/12/10 DATE _____ DATE _____	SIZE A	DRAWING NUMBER: 6200-0002	REV.
---	---	---	--------	------------------------------	------